

Registered & Head Office:
Hettich India Private Limited
302, Durolite House,
Opp. SAB TV, New Link Road,
Andheri (West), Mumbai - 400 053
Phone: +91 22 2674 3289/3356/4089
Fax: +91 22 2674 3267

Delhi Office:
Hettich India Private Limited
A-26/4, 1st floor,
Mohan Co-operative Industrial Estate,
New Delhi - 110 044
Phone: +91 11 4889 4000, 4889 4005
Fax: +91 11 4889 4044

Vadodara Factory:
Plot No. 304, Dhanora,
Nandesari Road,
Near ECPL,
Village - Dhanora - 391 346
Dist. - Vadodara
Tel: + 91 26 5656 9003



Application Centres:

New Delhi:
61, Panchkuian Road,
New Delhi - 110 001
Ph. No. : +91 11 2358 0713,
2358 4603

Mumbai:
202, Durolite House, Opp. SAB TV,
New Link Road, Andheri (West),
Mumbai - 400 053
Ph.No. : +91 22 2639 9707

Chennai:
"Heavitree", Ground Floor,
47, Spur Tank Road,
Chetpet, Chennai - 600 031
Ph. No. : +91 44 4263 7227

Kolkata:
2nd Floor, Unit Number 2A,
Tirumala 22,
East Topsia Road,
Kolkata - 700 046
Ph. No. : +91 85850 44725

Hyderabad:
" Sai Krishna "
797 - A, Road No. 36,
Jubilee Hills,
Hyderabad - 500 034
Ph. No. : +91 40 2355 8994

Pune:
Ishanya Speciality Mall,
C G 00-01, 2nd floor,
Arcade-2, Opp.Golf Course,
Yerwada, Pune - 411 006,
Ph. No. : +91 20 4132 2638

Bangalore:
Adventz Center, Ground Floor 28,
Cubbon Road, Shivaji Nagar,
Bangalore - 560 001
Ph. No. : +91 80 4530 0400,
4530 0401

Lucknow:
Umrao Plaza, 2nd Floor
B - 3, Indira Nagar,
Faizabad Road
Lucknow - 226 016
Ph. No. : +91 52 2407 8889

Ahmedabad:
1st Floor, Unit No. 102,
Safal Pegasus,
Anand Nagar,
Ahmedabad - 380 015,
Ph. No. : +91 79 4032 2824

Chandigarh:
2nd Floor, Aspire Tower,
Plot no. 55, Industrial
& Business park, Phase 1,
Chandigarh - 160 002
Ph. No. : +91 93 1755 7195

Indore:
Office No.106 and 107-A,
"Brilliant Titanium",
Plot No.9, Scheme No.78, Part-II,
Indore - 452 010, Madhya Pradesh,
Ph. No. : +91 93 0171 7343

Kochi:
41/2062D, 2nd Floor
Palarivattom signal
junction, NH 47 By-pass,
Kochi - 682 028
Ph. No. : +91 93 4900 3909

Enquiry & Customer Services

Toll Free : 1800 209 2096 (office hours)

Email: sales_enquiry@in.hettich.com
customer_services@in.hettich.com
www.hettich.com

Technik für Möbel



Technik für Möbel



Customization at your fingertips
CargoTech wire baskets

Drawer systems

12 – 79

Cabinet interiors

80 – 124

Hettich India Private Limited
302, Durolite House,
Opp. SAB TV, New Link Road,
Andheri (West), Mumbai - 400 053
Phone: +91 22 2674 3289/3356/4089
Fax: +91 22 2674 3267

Works
Plot No. 304, Dhanora,
Nandesari Road, Near ECPL,
Village - Dhanora - 391 346
Dist. - Vadodara
Tel: +91 26 5656 9004

Enquiry & Customer Services
Toll Free : 1800 209 2096 (office hours)
Email: sales_enquiry@in.hettich.com
customer_services@in.hettich.com
www.hettich.com

Take a look for yourself in our online catalogue:



<http://www.hettich.com/short/21d3e0>



Furniture fittings and applications – so much easier with Hettich.

This edition of the Furniture Fittings and Applications catalogue comes to you in a new outfit – now, for the first time, in two volumes. The reason: the growing wealth and diversity of Hettich fitting solutions have made the reference work heavier and heavier. But with Hettich standing for easy, practical solutions that lighten the workload, we want to make our catalogue easier to work with every day by dividing it in two.

2,500 pages weighing nothing at all: the Furniture Fittings and Applications flip page catalogue on the web. You can also use the Furniture Fittings and Applications catalogue online on a PC and in mobile form on your tablet. Digital search functions make it even faster to find the fittings you need. You can also order items directly from the online catalogue's shopping basket. On top of this, the online catalogue provides you with practical work assistants, such as the configurators for drawer, hinge and sliding door systems. You'll find all this at www.hettich.com



Hettich Manufacturing Unit at Vadodra, India

The company's origins date back to 1888, when Karl Hettich began making the new clock component he had invented. By 1930, his descendants had diversified into furniture fittings, setting up production in East Westphalia – a centre of the German furniture industry. Today, Hettich, still family owned, has become an industry leader with a worldwide reputation. We're one of the world's largest manufacturers of high-quality furniture fittings, with over 6,000 employees in more than 100 countries. The company's success has been built on four enduring values: quality, innovation, close cooperation with customers and absolute reliability. We work to inspire our customers with our ideas and our passion.

Hettich – an Indian success story

Hettich started operations in India with the dawn of new millennium. In the short span of 13 years, the company has gained the undisputed leadership position in the Indian furniture fittings & hardware industry. Hettich India prides itself on having most of the major hardware dealers in India as its trade partners across the country. These dealers are spread over all important cities and towns, so that they are within easy reach of the customer. Hettich India delivers complete "peace of mind" to the Indian furniture manufacturing industry. We have a strong reputation for providing high quality and high tech products. Our products are backed by pre- and after-sales service and on-time deliveries, and by value adding services like design and installation support.



Hettich Manufacturing Unit at Vadodra, India



We share responsibility for the world we live in, so we take our commitment to safeguard the environment extremely seriously. Hettich's environmental management system is EMAS - compliant (EMAS is a European environmental standard incorporating ISO14001 requirements). We make every effort to be as green as we can be, so that you can work with us with a clear conscience.

We've made sure that our products and production systems are environment friendly. Almost all Hettich products can be disassembled and fully recycled. Our manufacturing systems are planned to minimize the use of energy and resources. Our products meet RHOS standards and do not damage people's health or the environment. Hettich's high quality products last a long time - which means fewer replacements and thus lower resource consumption. This all makes good economic sense for our customers too.



10 years replacement warranty* against rusting

*Conditions apply



Dip into modern home environments. Find inspiration. Come face to face with Hettich products and try them out. Experience innovative functions first hand. Understand how systems go together. Discover valuable assembly advice. Take away new ideas.

There are many good reasons to visit our showrooms. Because Hettich is best discovered at Hettich. Technik für Möbel – a fascinating world we'd like to take you through. Contact one of our branches, a Hettich importer or – if you are in Germany – our headquarters in Kirchlingern. We look forward to seeing you.

Kitchen experience:
Convenience and design for indulgers



The kitchen has always been the focal point of everyday living. Hettich provides convenience and quality of life here too. With practical fitting technology that makes kitchen work easier and improves ergonomics. With drawers that open almost by themselves and close again in complete silence. With pull-outs designed to carry heavy loads for clearly organised, easy access food storage.

At the same time, Hettich technology for furniture opens up new avenues in design. Handleless front panels, wide pull-outs and large surface fronts with narrow reveals make aesthetic statements in modern kitchens. And create a purist, exclusive design for indulgers!

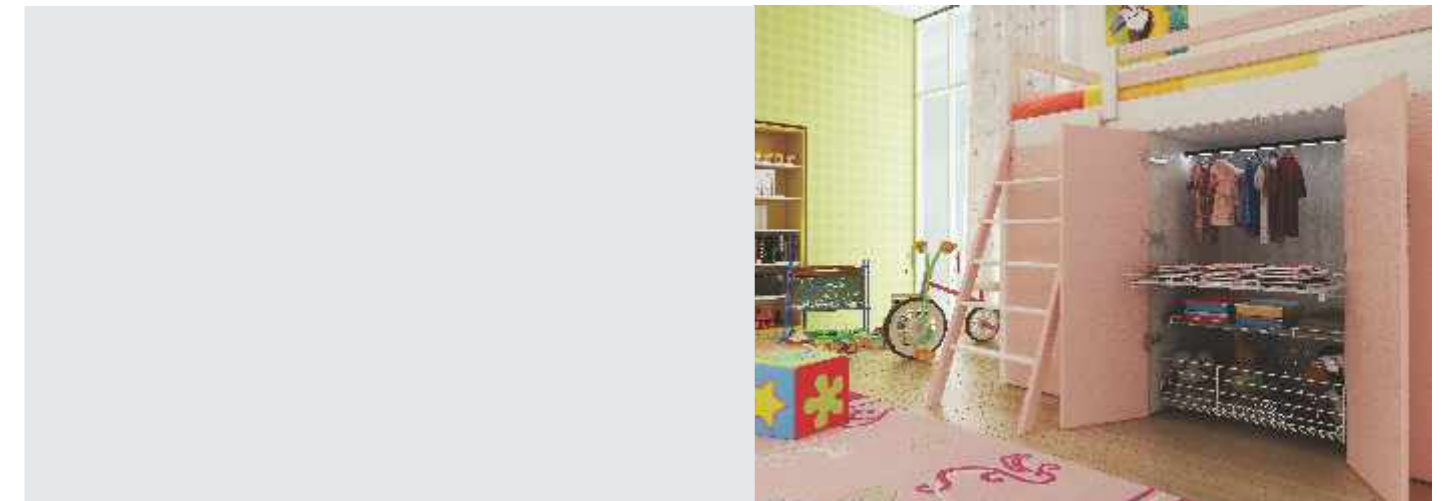


Bedroom experience:
Technology for dreamers



If the bedroom were only for sleeping in – we could keep it short on this page. But modern bedrooms offer more than a peaceful night's sleep. It's a favourite place for daydreaming, for relaxing with a book or for watching a good television programme in the evening. This is also the most practical place for getting dressed and changed – or in the separate dressing room. People are becoming more demanding; which is why these spaces need intelligent functions and a homely atmosphere too.

Large surface sliding doors, handleless and flush fitted, are "balsam" for the eyes. And plenty of storage space. Synchronous sliding or the Push to open function for hinged doors add further highlights in convenience and aesthetic appeal.



Bathroom experience:
Home pampering



A refreshing start to the day, and a relaxing soak in the evening: the bathroom is the home's haven of pampering and indulgence. It's where body and soul can unwind. Can furniture technology be of help here?

And how! Luxury bathroom interiors pamper the senses and promote relaxation. With drawers and cabinet doors that close in silence, for example. With intelligent interior organisers that keep everything in reach. And innovative

fittings that move furniture fronts smoothly and quietly. Flush fitted sliding doors running in complete silence conjure a purist ambience and calm the senses. And because Hettich technology for furniture works so gently and quietly, you rarely notice it is there. That's the biggest compliment technology can ever be paid.



Commercial spaces:
Big demands on small spaces



Intelligent, interesting, imaginative – that's how brand manufacturers want their product presentations to be. This is not only where Hettich offers creative ideas but also the right technology: fitting solutions for variable storage space and for lightweight modules. Innovative shelf and drawer systems. And solutions that are always tailored to creating any chosen store look. Easy installation and a long service life make them cost effective too. With Hettich, you can turn great ideas into practice that also work perfectly in every last detail.



Drawer systems
Range summary / technical comparison 14 - 15

CargoTech
Summary 16 - 33



CargoTech M
Summary 34 - 49







CargoPlus
Summary 50 - 63



CargoFlexi
Summary 64 - 79





	CargoTech	CargoTech M	CargoPlus	CargoFlexi
				
Page	16 - 33	34 - 49	50 - 63	64 - 79
Drawer system	Single walled	Single walled	Double walled	Single walled
Material / finish	Chrome plated finish	Chrome plated finish	Inlet chrome plated finish & InnoTech standard finishes	Chrome plated finish & Engineered wood
Heights	100 / 150 / 200 mm	100 / 150 / 200 mm	70 / 144 mm	100 / 150 / 200 mm
Nominal lengths	500 / 550 / 600 mm	500 / 550 / 600 mm	470 / 520 mm	500 mm
Drawer runner	Quadro / KA Telescopic	KA Telescopic	Quadro	Quadro / KA Telescopic
Load capacity	35 - 60 kg	45 kg	30 - 50 kg	35 - 60 kg
Silent System	Possible	Possible	Possible	Possible
Push to open mechanical opening system	Possible	Possible	Possible	Possible
Easys electromechanical opening system	-	-	Possible	-



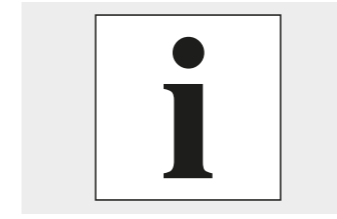
The new range of wire baskets are manufactured at our Vadodara Plant which has international standards of stringent quality controls. Each process is devised to produce a world class quality product. Automatic plating plant is used to provide excellent plating finish, hence we achieve such quality that makes us the only company who provides 10 year replacement warranty against rusting.



CargoTech Range summary	19
-------------------------	----



Inlets Range summary	19
----------------------	----



Technical information ▶ Installation	32 - 33
---	---------



Compatible with quadro & telescopic runners



Load capacity 35 to 60 kg



3 way fascia adjustment



Available in three depths 500 mm, 550 mm & 600 mm



Plain basket, height 100 mm

20



Plain basket, height 150 mm

21



Plain basket, height 200 mm

22



Cutlery inlet

23



OrgaTray 440

24



Cup inlet

25



Saucer inlet

26



Cup & saucer inlet

27



Thali inlet

28



Plate inlet

29



Separator inlet

30



Bottle separator inlet

31

CargoTech

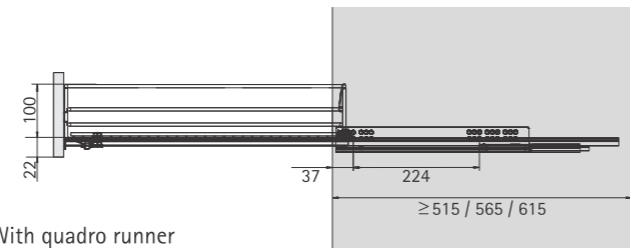
- ▶ Plain basket, height 100 mm
- ▶ Chrome plated



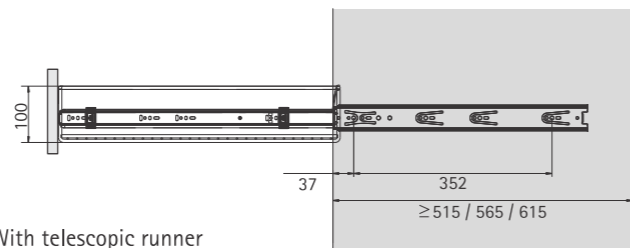
- ▶ Front panel precise adjustment with fascia parts
- ▶ Available in three depths 500 mm, 550 mm & 600 mm
- ▶ Order runner & clamps accordingly

Basket depth mm	500	550	600
Minimum carcass internal depth mm	515	565	615

Planning dimensions



With quadro runner



With telescopic runner

Basket width mm	Carcass external width mm (for side panel thickness 18 mm)	Order no. / nominal length in mm			PU
		500 mm	550 mm	600 mm	
386	450	9 156 381	9 156 394	9 206 781	6 pc
436	500	9 156 385	9 156 398	9 206 784	6 pc
486	550	9 159 547	9 159 550	9 206 787	6 pc
536	600	9 156 388	9 156 401	9 206 992	6 pc
836	900	9 156 391	9 156 404	9 206 995	6 pc

Advice

For Quadro & KA Telescopic runner, see page 126 - 131
For installation, see page 32 - 33

CargoTech

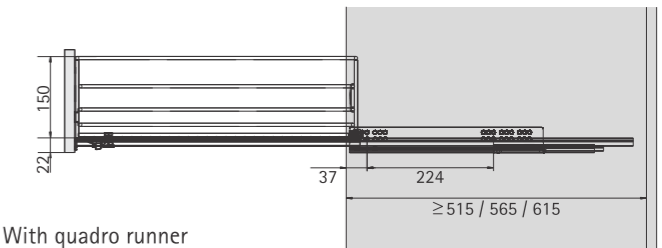
- ▶ Plain basket, height 150 mm
- ▶ Chrome plated



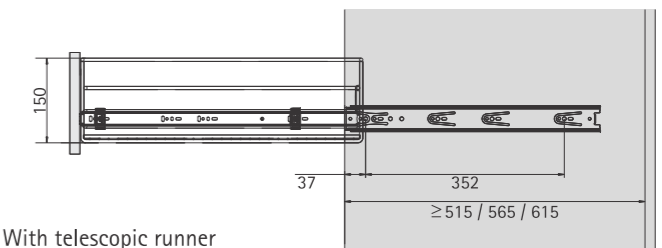
- ▶ Front panel precise adjustment with fascia parts
- ▶ Available in three depths 500 mm, 550 mm & 600 mm
- ▶ Order runner & clamps accordingly

Basket depth mm	500	550	600
Minimum carcass internal depth mm	515	565	615

Planning dimensions



With quadro runner



With telescopic runner

Basket width mm	Carcass external width mm (for side panel thickness 18 mm)	Order no. / nominal length in mm			PU
		500 mm	550 mm	600 mm	
386	450	9 156 383	9 156 395	9 206 782	4 pc
436	500	9 156 386	9 156 399	9 206 785	4 pc
486	550	9 159 548	9 159 551	9 206 789	4 pc
536	600	9 156 389	9 156 402	9 206 993	4 pc
836	900	9 156 392	9 156 405	9 206 996	4 pc

Advice

For Quadro & KA Telescopic runner, see page 126 - 131
For installation, see page 32 - 33

CargoTech

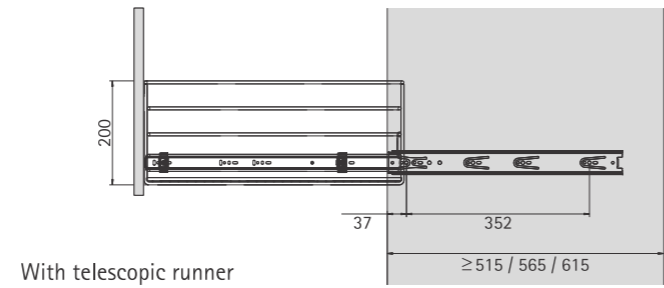
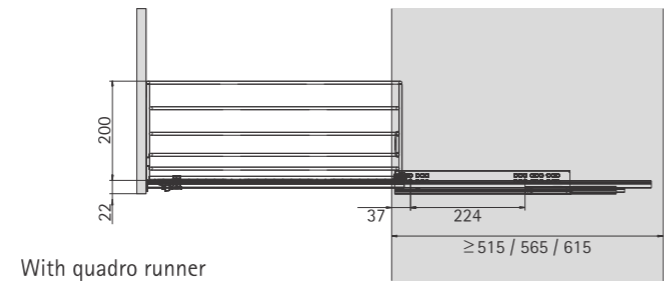
- ▶ Plain basket, height 200 mm
- ▶ Chrome plated



- ▶ Front panel precise adjustment with fascia parts
- ▶ Available in three depths 500 mm, 550 mm & 600 mm
- ▶ Order runner & clamps accordingly

Basket depth mm	500	550	600
Minimum carcass internal depth mm	515	565	615

Planning dimensions



Basket width mm	Carcass external width mm (for side panel thickness 18 mm)	Order no. / nominal length in mm			PU
		500 mm	550 mm	600 mm	
386	450	9 156 384	9 156 396	9 206 783	3 pc
436	500	9 156 387	9 156 400	9 206 786	3 pc
486	550	9 159 549	9 159 552	9 206 790	3 pc
536	600	9 156 390	9 156 403	9 206 994	3 pc
836	900	9 156 393	9 156 406	9 206 997	3 pc

Advice

For Quadro & KA Telescopic runner, see page 126 - 131
For installation, see page 32 - 33

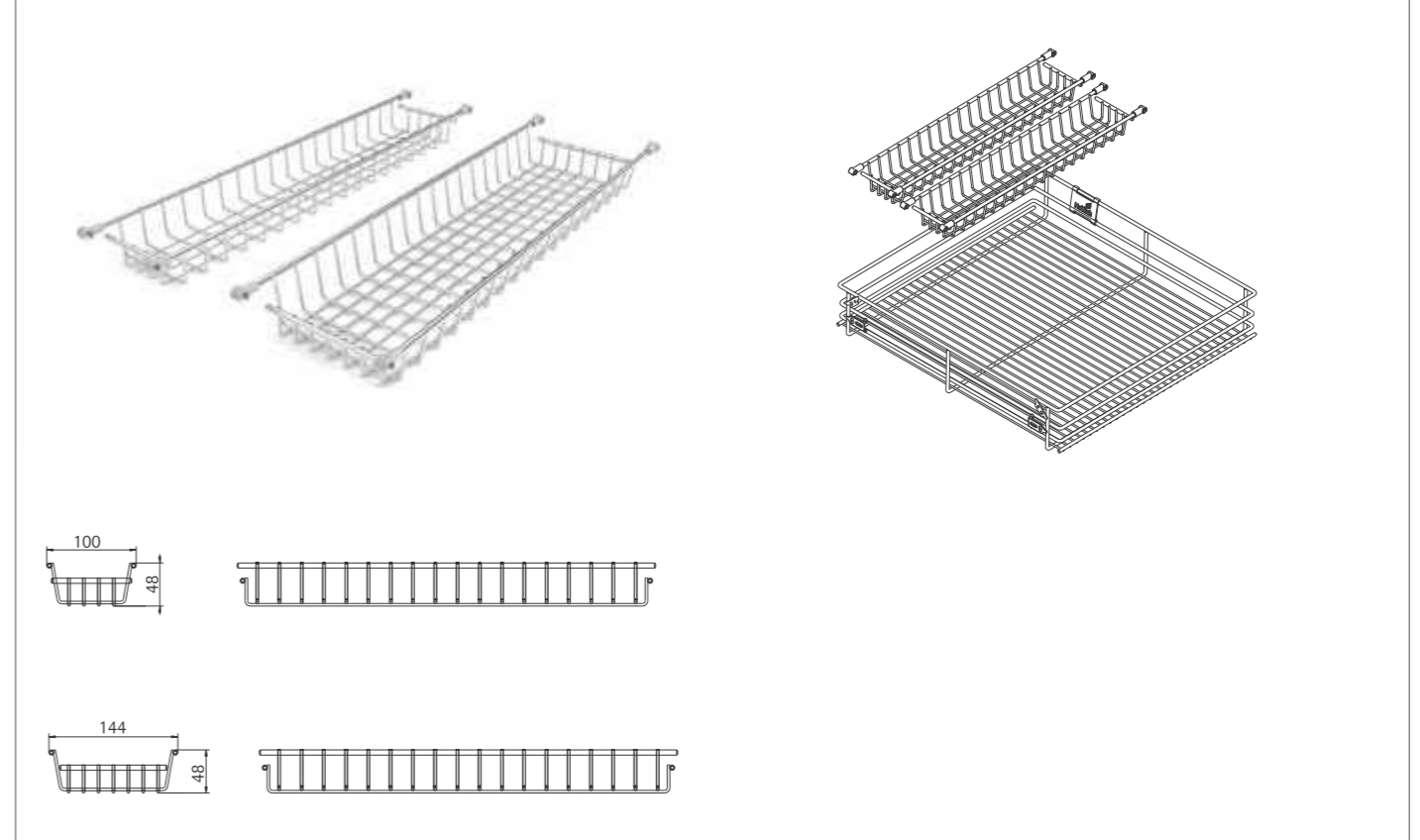
CargoTech

- ▶ Cutlery inlet



- ▶ To be used with 100 mm CargoTech basket
- ▶ Convenient way of storing cutlery
- ▶ Four end connectors fix inlet to basket on 2nd wire from the top
- ▶ Available widths- 100 mm & 144 mm, combination of these two fit in all baskets widths
- ▶ Recommended shutter height ≥ 140 mm

Planning dimensions



Inlet width mm	Order no. / nominal length in mm			PU
	500 mm	550 mm	600 mm	
100	9 190 416	9 190 418	9 206 949	1 pc
144	9 190 417	9 190 419	9 206 950	1 pc



- ▶ For general-purpose use
- ▶ Knife holder and/or spice rack can be added
- ▶ Plastic, silver

Planning dimensions



Partitioning

D 441 520					
W	351- 400	401- 450	451- 500	501- 550	801-850
NW	450	500	550	600	900

* = knife and spice rack can be incorporated

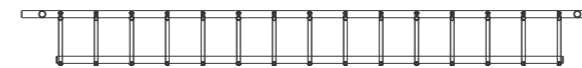
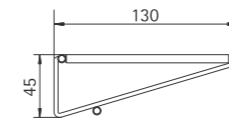
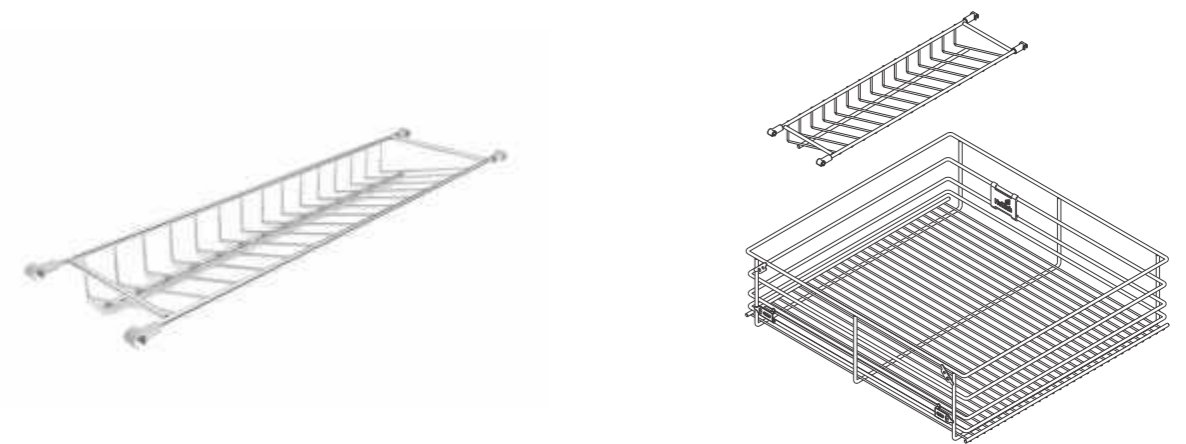
D = Depth W = Width NW = Nominal width

Basket width mm	Carcase external width mm (for side panel thickness 18 mm)	Order no. / depth mm 441-520	PU
386	450	9 194 934	1 pc
436	500	9 194 935	1 pc
486	550	9 194 936	1 pc
536	600	9 194 937	1 pc
836	900	9 194 940	1 pc



- ▶ To be used with 150 mm CargoTech basket
- ▶ Four end connectors fix inlet to basket on 2nd wire from the top
- ▶ Recommended shutter height ≥ 200 mm
- ▶ Number of cups for basket depth:
500 mm - 6 nos.
550 mm - 7 nos.
600 mm - 8 nos.

Planning dimensions

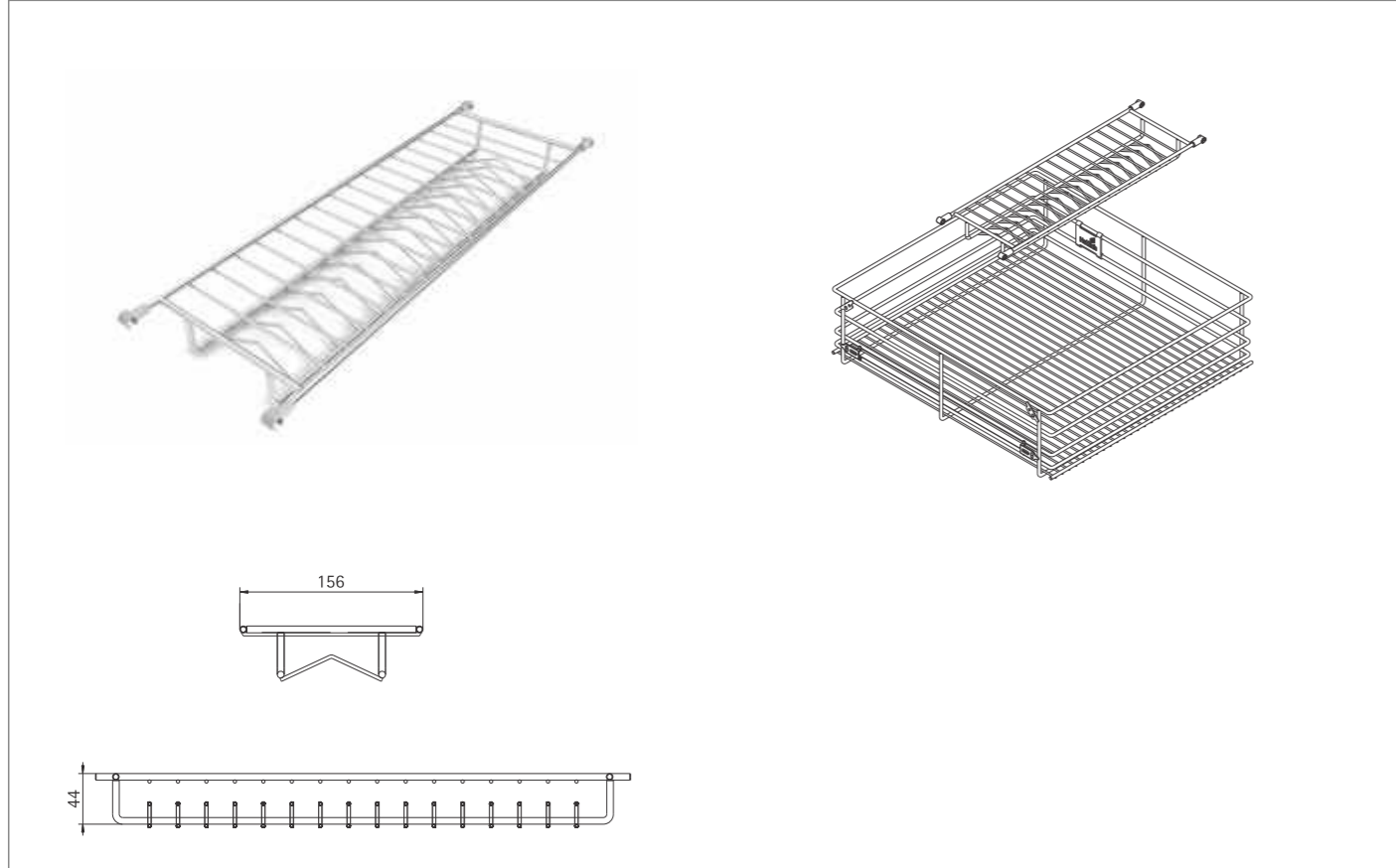


Inlet width mm	Order no. / nominal length in mm			PU
	500 mm	550 mm	600 mm	
130	9 156 346	9 156 415	9 206 917	1 pc



- To be used with 150 mm CargoTech basket
- Four end connectors fix inlet to basket on 2nd wire from the top
- Recommended shutter height ≥200 mm
- Number of saucers for basket depth:
 - 500 mm - 17 nos.
 - 550 mm - 19 nos.
 - 600 mm - 21 nos.

Planning dimensions

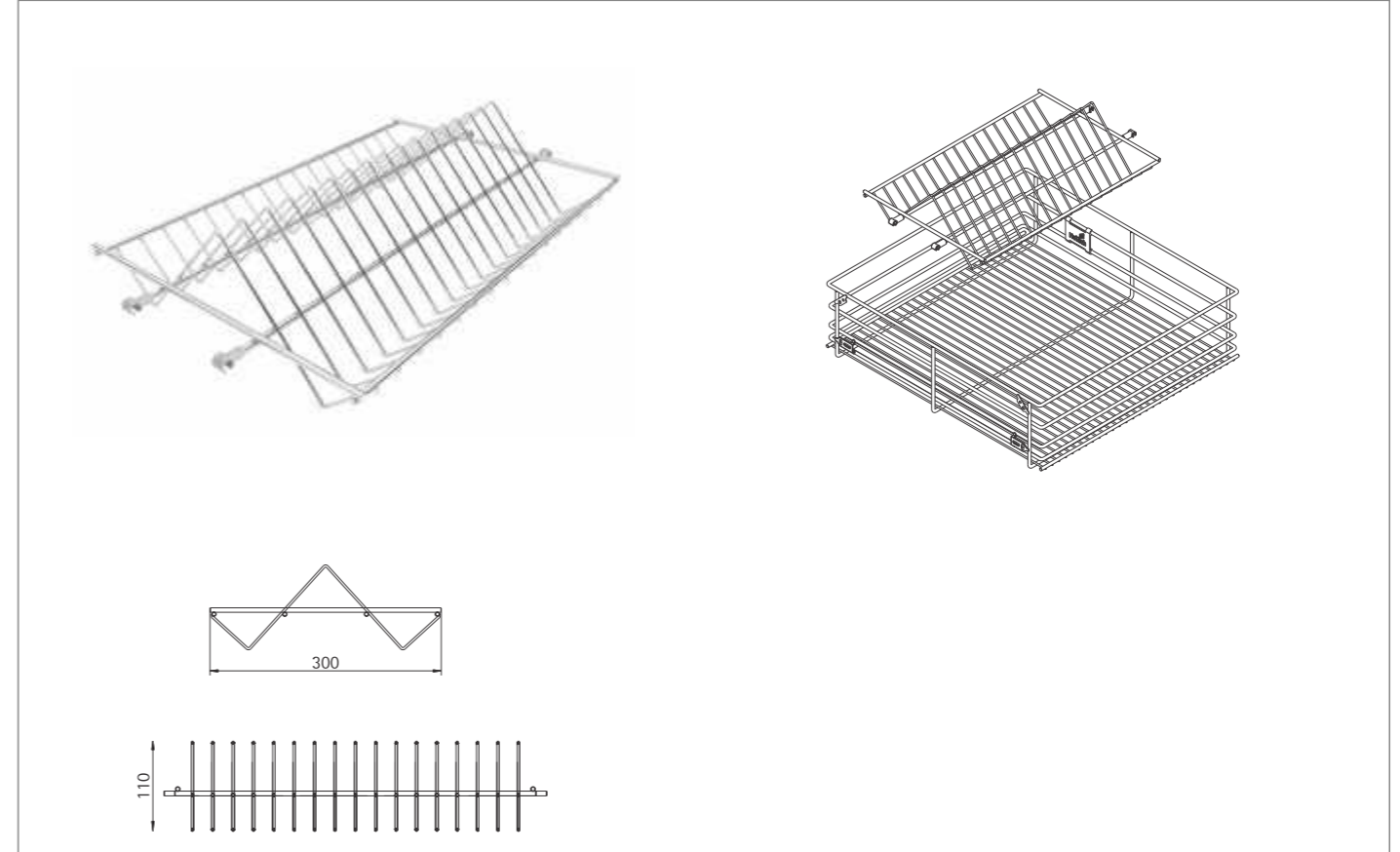


Inlet width mm	Order no. / nominal length in mm			PU
	500 mm	550 mm	600 mm	
156	9 156 345	9 156 414	9 206 916	1 pc



- To be used with 150 mm CargoTech basket
- Four end connectors fix inlet to basket on 2nd wire from the top
- Recommended shutter height ≥200 mm
- Number of cups for basket depth:
 - 500 mm - 12 nos.
 - 550 mm - 14 nos.
 - 600 mm - 16 nos.
- Number of saucers for basket depth:
 - 500 mm - 16 nos.
 - 550 mm - 18 nos.
 - 600 mm - 20 nos.

Planning dimensions

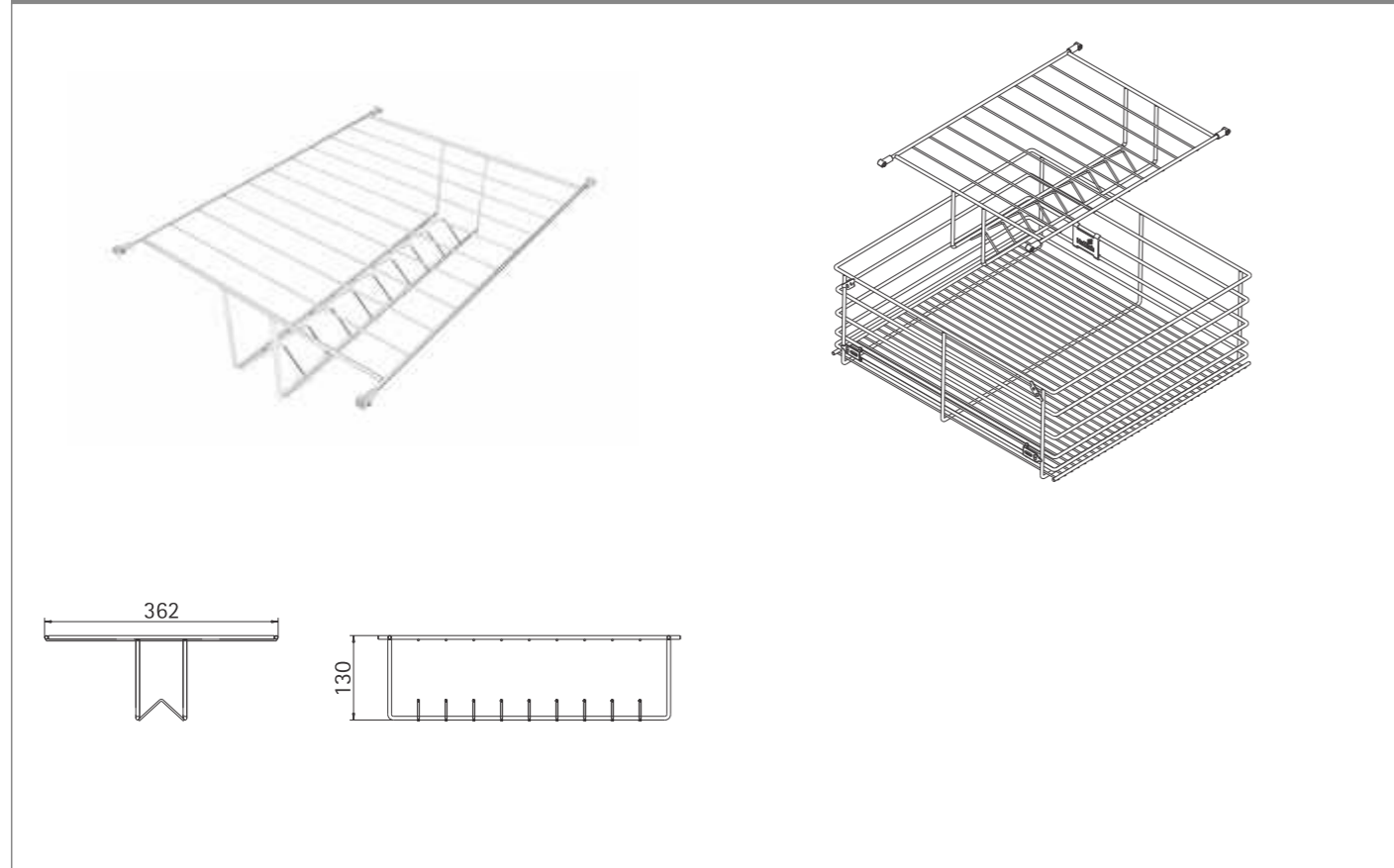


Inlet width mm	Order no. / nominal length in mm			PU
	500 mm	550 mm	600 mm	
300	9 156 344	9 156 413	9 206 915	1 pc



- To be used with 200 mm CargoTech basket
- Four end connectors fix inlet to basket on 2nd wire from the top
- Less clutter noise as thali touches inlet at two places
- Recommended shutter height ≥360 mm
- Number of thalis for basket depth:
 - 500 mm - 10 nos.
 - 550 mm - 11 nos.
 - 600 mm - 12 nos.

Planning dimensions

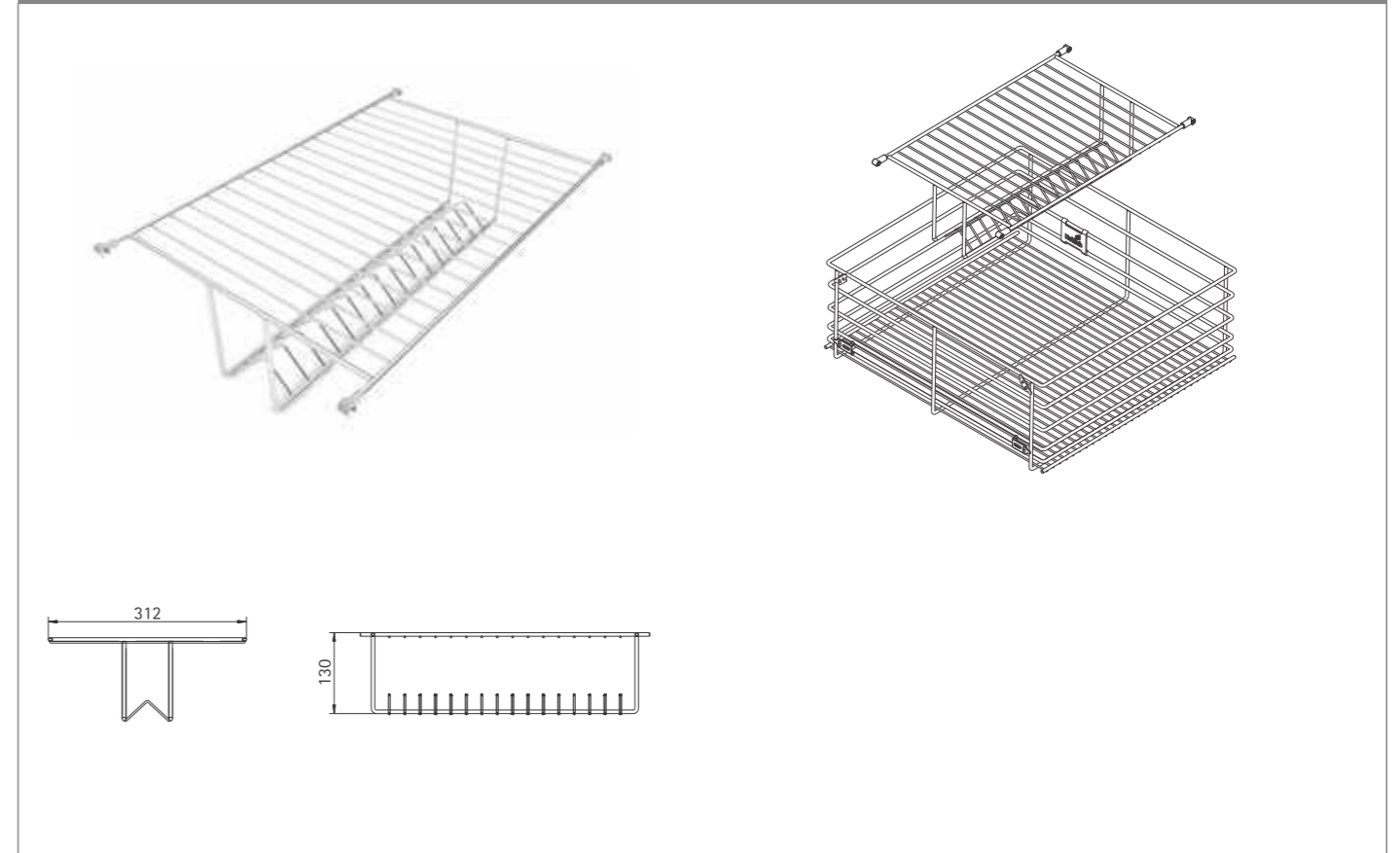


Inlet width mm	Order no. / nominal length in mm			PU
	500 mm	550 mm	600 mm	
362	9 156 342	9 156 411	9 206 913	1 pc



- To be used with 200 mm CargoTech basket
- Four end connectors fix inlet to basket on 2nd wire from the top
- Less clutter noise as plate touches inlet at two places
- Recommended shutter height ≥360 mm
- Number of plates for basket depth:
 - 500 mm - 17 nos.
 - 550 mm - 19 nos.
 - 600 mm - 21 nos.

Planning dimensions

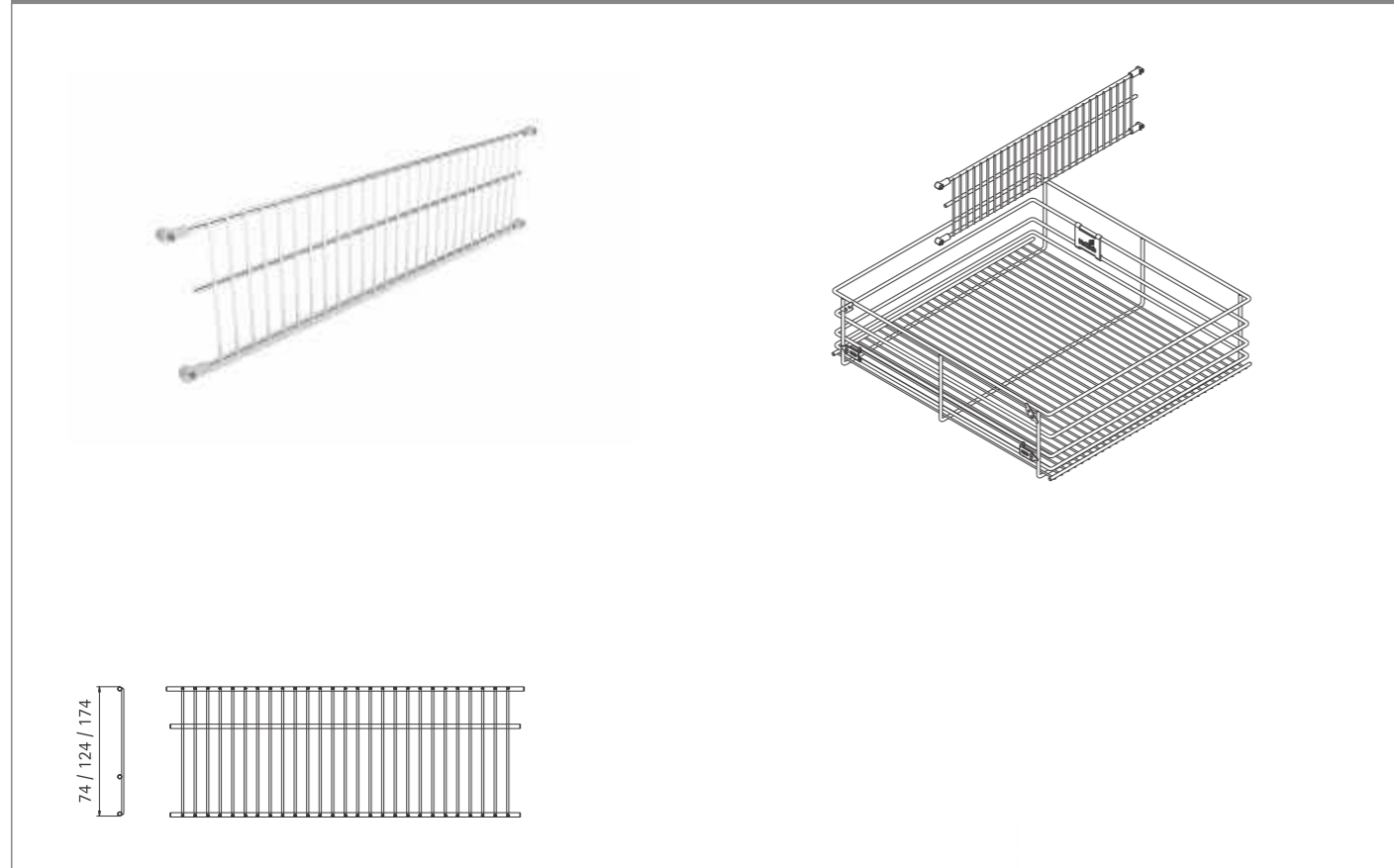


Inlet width mm	Order no. / nominal length in mm			PU
	500 mm	550 mm	600 mm	
312	9 156 343	9 156 412	9 206 914	1 pc



- ▶ Can be fitted at any width to divide the basket along the whole depth
- ▶ Available for all three heights of 100, 150 & 200 mm
- ▶ Four end connectors fix inlet to basket on 2nd wire from the top

Planning dimensions

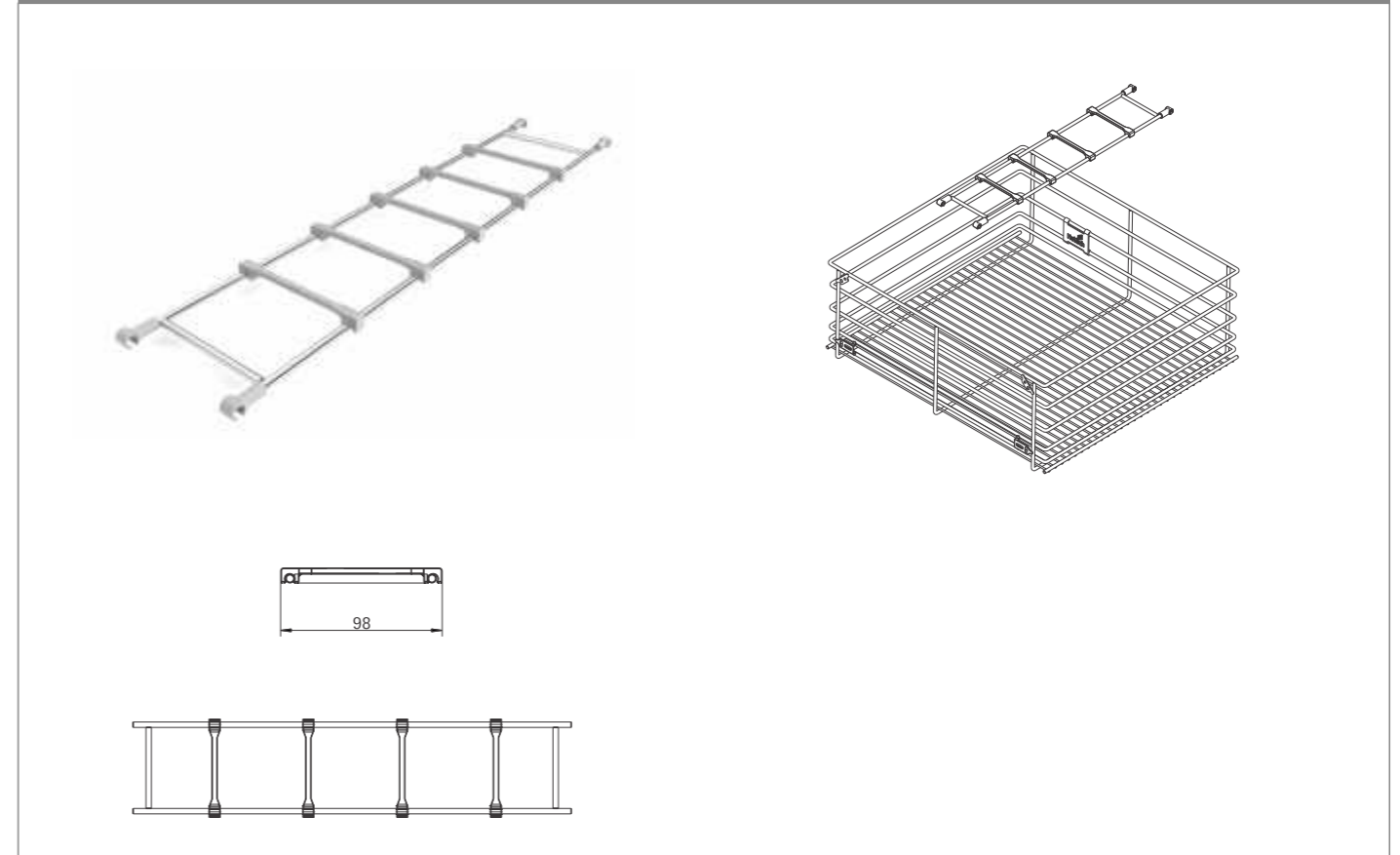


Inlet height mm	For CargoTech basket height mm	Order no. / nominal length in mm			PU
		500 mm	550 mm	600 mm	
74	100	9 156 408	9 156 417	9 206 951	5 pc
124	150	9 156 409	9 156 419	9 206 952	5 pc
174	200	9 156 410	9 156 420	9 206 953	5 pc



- ▶ To be used with 150 / 200 mm CargoTech basket
- ▶ Four end connectors fix inlet to basket on 2nd wire from the top
- ▶ To separate bottle, use plastic separator as required
- ▶ Can be used to hold big size coffee mugs or glasses also
- ▶ Number of bottles for basket depth:
 - 500 mm - 5 nos.
 - 550 mm - 6 nos.
 - 600 mm - 7 nos.

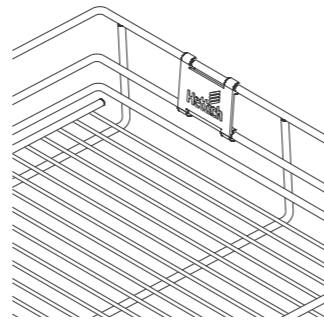
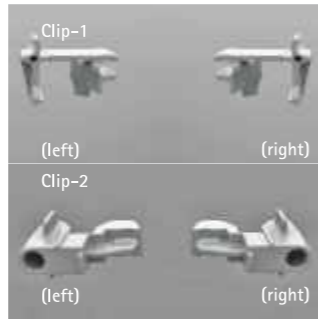
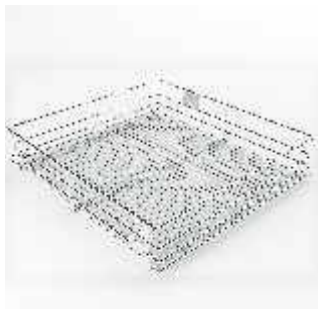
Planning dimensions



Inlet width mm	Order no. / nominal length in mm			PU
	500 mm	550 mm	600 mm	
98	9 156 347	9 156 416	9 206 948	5 pc



Components



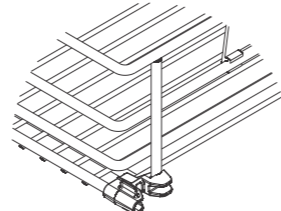
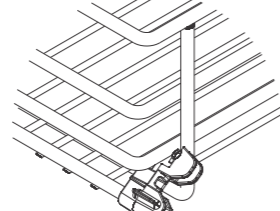
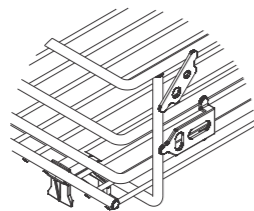
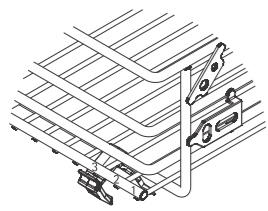
1) CargoTech

2) Quadro Runner

3) Clips- (in pair) Left & Right

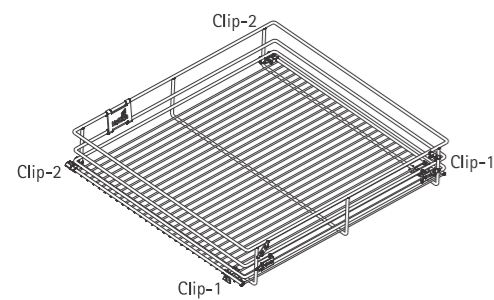
4) Logo

Installation stages

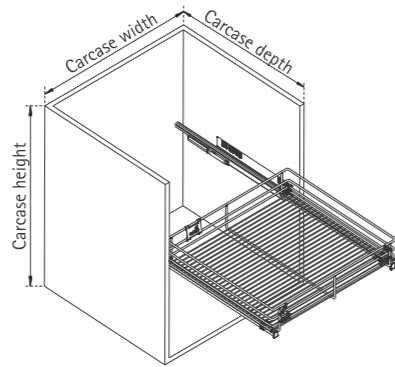


1. Push Clip-1 in third gap & rotate to fix it

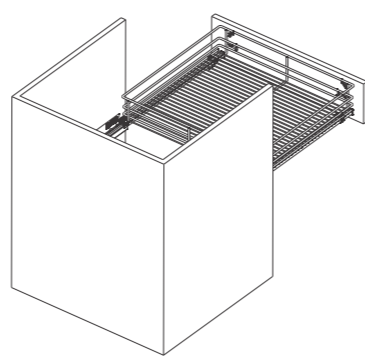
2. Insert Clip-2 to back end of basket & rotate to fix it



3. Fix Clip 1 & Clip 2 to basket front & rear ends

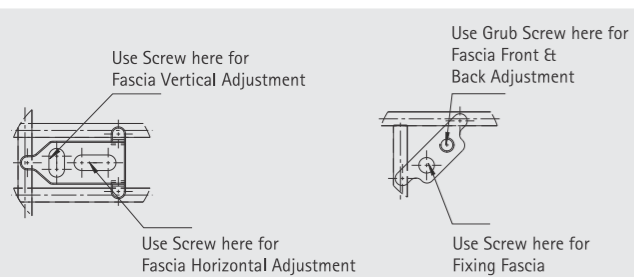


4. Place basket over Quadro runner & fix it

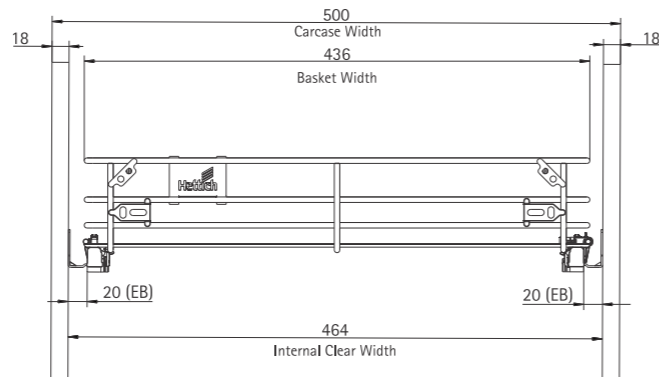


5. Final assembly, basket fixed to fascia

Fascia fixing & adjustment



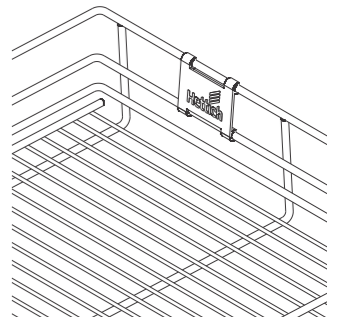
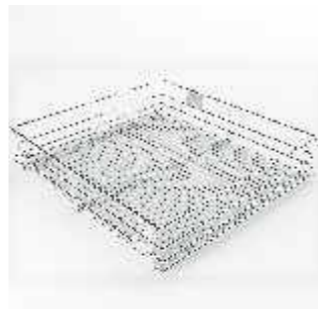
*For angular adjustment remove fixing screw & use other 3 screws.



*Carcase internal elevation with basket on Quadro runner



Components



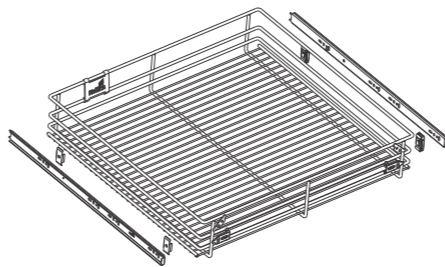
1) CargoTech

2) KA Telescopic Runner

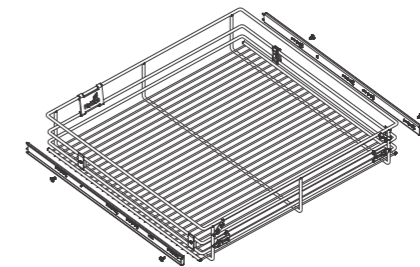
3) Clips

4) Logo

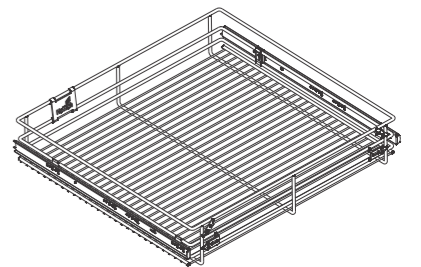
Installation stages



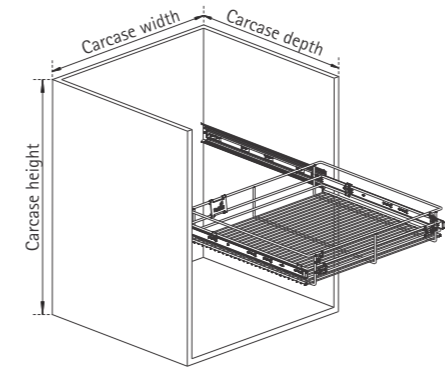
1. Align Components



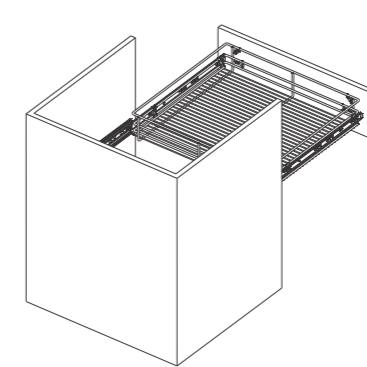
2. Attach clips



3. Fix runner with clips

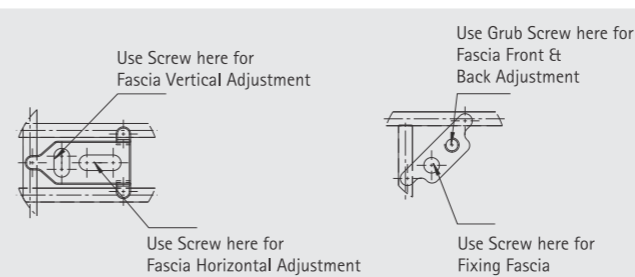


4. Check alignment with Carcase

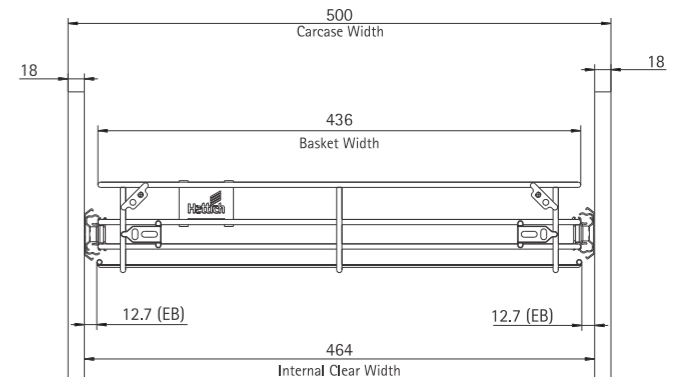


5. Final assembly, basket fixed to fascia

Fascia fixing & adjustment



*For angular adjustment remove fixing screw & use other 3 screws.



*Carcase internal elevation with basket on KA runner



Hettich product development team worked hard to provide universal solutions to the end user of wire basket. Cargotech M can be installed in ready made size carcases with telescopic runner only. There is no need to do any adjustments for correct installation. Mesh of steel wires provide sturdy structure to CargoTech M and the range consist of well designed baskets for holding different products like Thali, Saucer, Cups, Cutlery, Jar etc.



CargoTech M
 Range summary

37



Technical information
 ▶ Installation

48



Compatible with telescopic runners



Load capacity 45 kg



Well designed baskets



Available in three depths 500 mm,
 550 mm Et 600 mm

CargoTech M

- ▶ Range summary
- ▶ Chrome plated



Plain basket, height 100 mm

38



Plain basket, height 150 mm

39



Plain basket, height 200 mm

40



Cutlery basket, height 100 mm

41



Cutlery basket, height 100 mm

42



Cup & saucer basket, height 100 mm

43



Cup & saucer / jar basket, height 100 mm

44



Thali basket, height 200 mm

45



Thali / jar basket, height 200 mm

46



Cup & saucer / jar / thali basket,
height 200 mm

47

CargoTech M

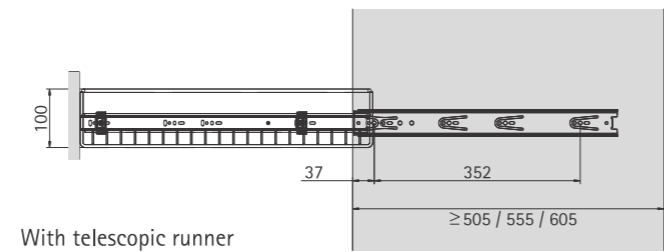
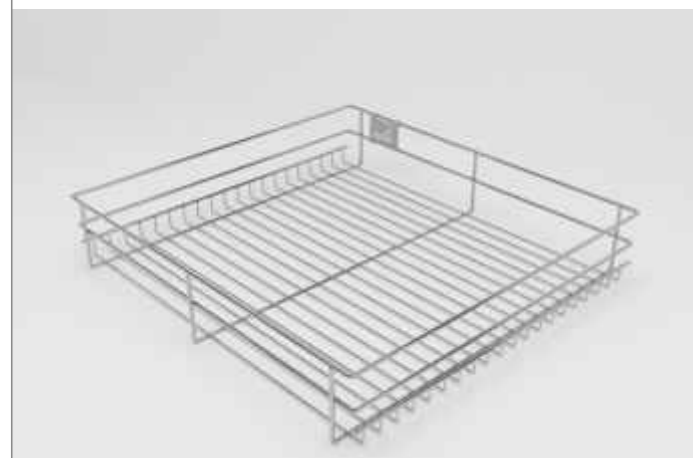
- ▶ Plain basket, height 100 mm
- ▶ Chrome plated



- ▶ Available in three depths 500 mm, 550 mm & 600 mm
- ▶ Order KA telescopic runner & clamps separately

Basket depth mm	500	550	600
Minimum carcass internal depth mm	505	555	605

Planning dimensions



Basket width mm	Carcass external width mm (for side panel thickness 18 mm)	Order no. / nominal length in mm			PU
		500 mm	550 mm	600 mm	
386	450	9 190 382	9 206 742	9 206 791	6 pc
436	500	9 190 385	9 206 745	9 206 794	6 pc
486	550	9 190 388	9 206 778	9 206 797	6 pc
536	600	9 190 401	9 206 982	9 206 998	6 pc
836	900	9 190 404	9 206 988	9 207 001	6 pc

Advice

For KA Telescopic runner, see page 130 - 131
For installation, see page 48

CargoTech M

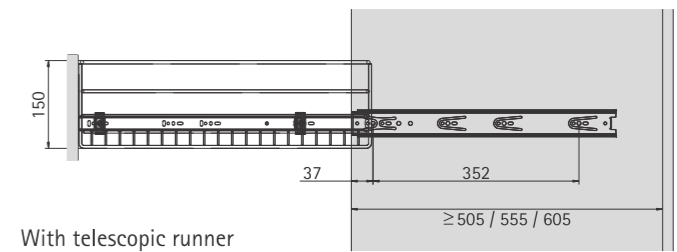
- ▶ Plain basket, height 150 mm
- ▶ Chrome plated



- ▶ Available in three depths 500 mm, 550 mm & 600 mm
- ▶ Order KA telescopic runner & clamps separately

Basket depth mm	500	550	600
Minimum carcass internal depth mm	505	555	605

Planning dimensions



Basket width mm	Carcass external width mm (for side panel thickness 18 mm)	Order no. / nominal length in mm			PU
		500 mm	550 mm	600 mm	
386	450	9 190 383	9 206 743	9 206 792	4 pc
436	500	9 190 386	9 206 746	9 206 795	4 pc
486	550	9 190 389	9 206 779	9 206 838	4 pc
536	600	9 190 402	9 206 985	9 206 999	4 pc
836	900	9 190 405	9 206 990	9 207 002	4 pc

Advice

For KA Telescopic runner, see page 130 - 131
For installation, see page 48

CargoTech M

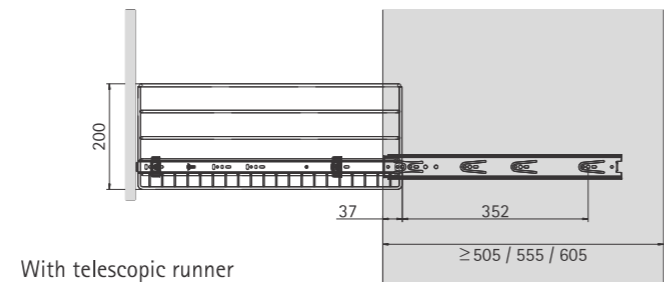
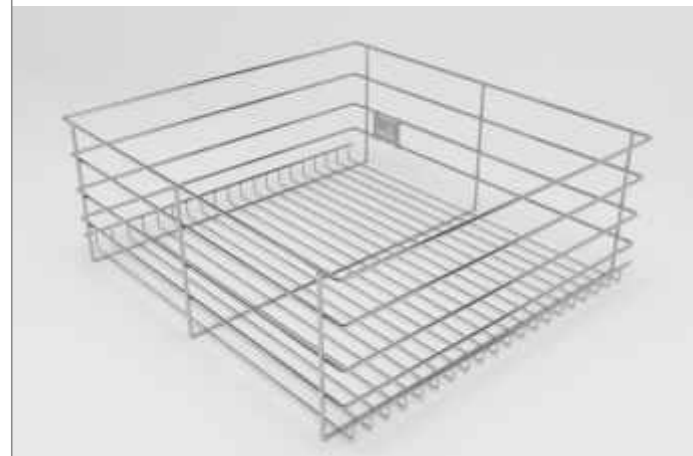
- ▶ Plain basket, height 200 mm
- ▶ Chrome plated



- ▶ Available in three depths 500 mm, 550 mm & 600 mm
- ▶ Order KA telescopic runner & clamps separately

Basket depth mm	500	550	600
Minimum carcass internal depth mm	505	555	605

Planning dimensions



Basket width mm	Carcass external width mm (for side panel thickness 18 mm)	Order no. / nominal length in mm			PU
		500 mm	550 mm	600 mm	
386	450	9 190 384	9 206 744	9 206 793	3 pc
436	500	9 190 387	9 206 747	9 206 796	3 pc
486	550	9 190 390	9 206 780	9 206 839	3 pc
536	600	9 190 403	9 206 987	9 207 000	3 pc
836	900	9 190 406	9 206 991	9 207 003	3 pc

Advice

For KA Telescopic runner, see page 130 - 131
For installation, see page 48

CargoTech M

- ▶ Cutlery basket, height 100 mm



- ▶ Variable in width
- ▶ For nominal lengths of 500 mm
- ▶ White plastic
- ▶ Order CargoTech M basket separately

Planning dimensions



Partitioning

D	433 - 483	400 - 440	500 - 540
W	400 - 440	500	600
NW	500	600	

D = Depth W = Width NW = Nominal width

Cutlery width mm	Basket width mm	Order no. / depth mm (500)	PU
400-440	436	0 044 919	1 pc
500-540	536	0 044 918	1 pc

CargoTech M

▶ Cutlery basket, height 100 mm



- ▶ For general-purpose use
- ▶ Plastic silver
- ▶ Order CargoTech M basket separately

Planning dimensions



Partitioning

D 441 520					
W	351- 400	401- 450	451- 500	501- 550	801-850
NW	450	500	550	600	900

* = knife and spice rack can be incorporated

D = Depth W = Width NW = Nominal width

Basket width mm	Carcase external width mm (for side panel thickness 18 mm)	Order no. / depth mm 441-520	PU
386	450	9 194 934	1 pc
436	500	9 194 935	1 pc
486	550	9 194 936	1 pc
536	600	9 194 937	1 pc
836	900	9 194 940	1 pc

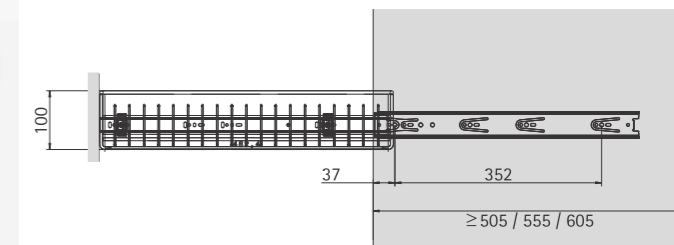
CargoTech M

▶ Cup & saucer basket, height 100 mm



- ▶ Convenient way of keeping cup & saucers
- ▶ Recommended shutter height ≥ 180 mm
- ▶ Number of saucers for basket depth:
 - 500 mm - 18 nos.
 - 550 mm - 20 nos.
 - 600 mm - 22 nos.

Planning dimensions



With telescopic runner

Basket width mm	Height mm	Order no. / nominal length in mm			PU
		500 mm	550 mm	600 mm	
386	100	9 194 314	9 206 840	9 206 846	6 pc

Advice

For Telescopic runner, see page 130 - 131
For installation, see page 48

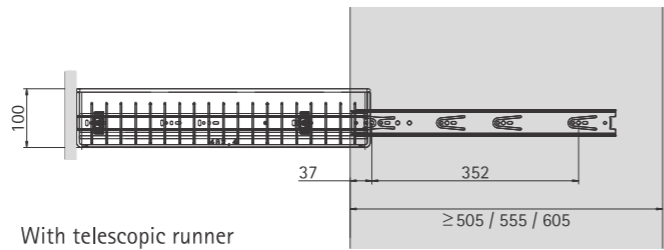
CargoTech M

► Cup & saucer / jar basket, height 100 mm



- Convenient way of keeping cup & saucers / jars
- Recommended shutter height ≥ 180 mm
- Number of saucers for basket depth:
 - 500 mm - 18 nos.
 - 550 mm - 20 nos.
 - 600 mm - 22 nos.

Planning dimensions



Basket width mm	Height mm	Order no. / nominal length in mm			PU
		500 mm	550 mm	600 mm	
436	100	9 194 316	9 206 842	9 206 909	6 pc
486	100	9 194 318	9 206 844	9 206 911	6 pc
536	100	9 194 320	9 207 004	9 207 011	6 pc

Advice

For Telescopic runner, see page 130 - 131
For installation, see page 48

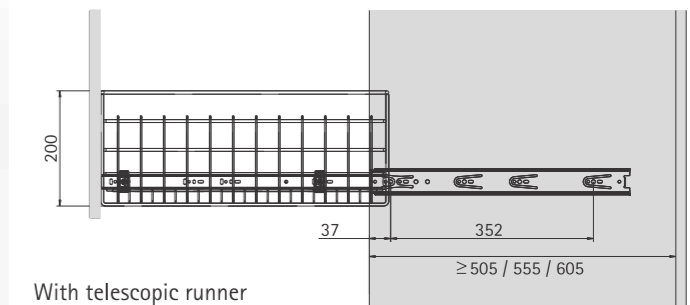
CargoTech M

► Thali basket, height 200 mm



- Convenient way of keeping thali
- Recommended shutter height ≥ 360 mm
- Number of thalis for basket depth:
 - 500 mm - 11 nos.
 - 550 mm - 12 nos.
 - 600 mm - 13 nos.

Planning dimensions



Basket width mm	Height mm	Order no. / nominal length in mm			PU
		500 mm	550 mm	600 mm	
386	200	9 194 315	9 206 841	9 206 908	3 pc
436	200	9 194 317	9 206 843	9 206 910	3 pc

Advice

For Telescopic runner, see page 130 - 131
For installation, see page 48

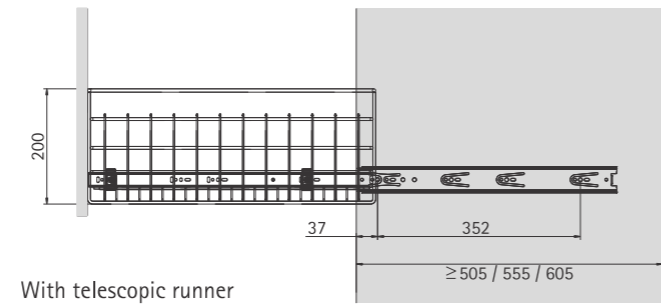
CargoTech M

► Thali / jar basket, height 200 mm



- Convenient way of keeping thali & jars
- Recommended shutter height ≥ 360 mm
- Number of thalis for basket depth:
 - 500 mm - 11 nos.
 - 550 mm - 12 nos.
 - 600 mm - 13 nos.

Planning dimensions



Basket width mm	Height mm	Order no. / nominal length in mm			PU
		500 mm	550 mm	600 mm	
486	200	9 194 319	9 206 845	9 206 912	3 pc
536	200	9 194 321	9 207 007	9 207 012	3 pc

Advice

For Telescopic runner, see page 130 - 131
For installation, see page 48

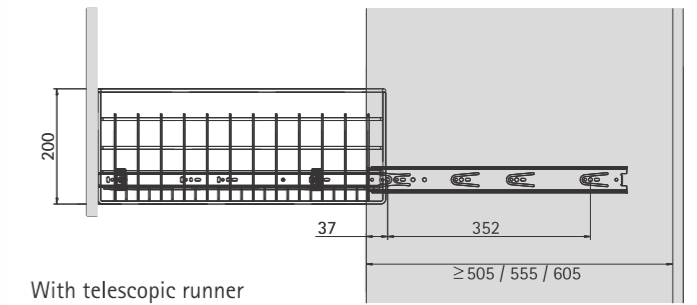
CargoTech M

► Thali / plate / jar basket, height 200 mm



- Convenient way of keeping thali, plate & jars
- Recommended shutter height ≥ 360 mm
- Number of thalis for basket depth:
 - 500 mm - 11 nos.
 - 550 mm - 12 nos.
 - 600 mm - 13 nos.
- Number of plates for basket depth:
 - 500 mm - 18 nos.
 - 550 mm - 20 nos.
 - 600 mm - 22 nos.

Planning dimensions



Basket width mm	Height mm	Order no. / nominal length in mm			PU
		500 mm	550 mm	600 mm	
836	200	9 194 322	9 207 010	9 207 013	3 pc

Advice

For Telescopic runner, see page 130 - 131
For installation, see page 48



Components



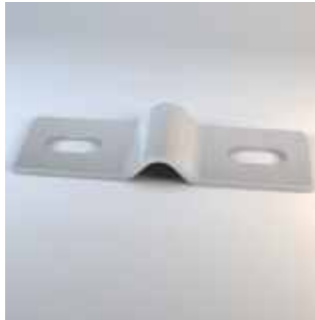
1) CargoTech M



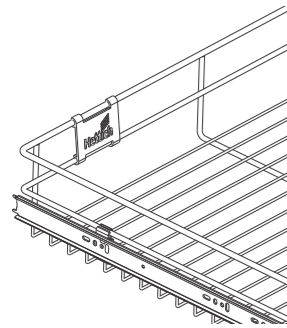
2) KA Telescopic Runner



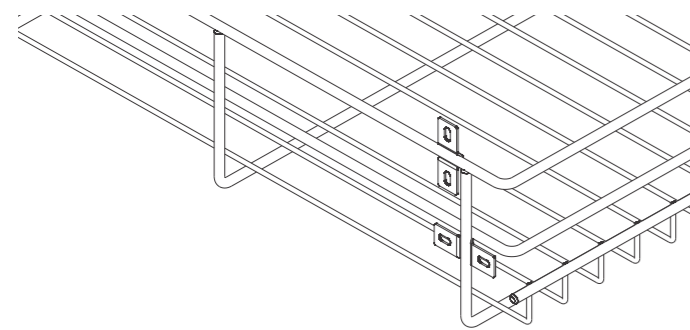
3) Clip (8 nos.)



4) Fascia attachment (4 nos.)

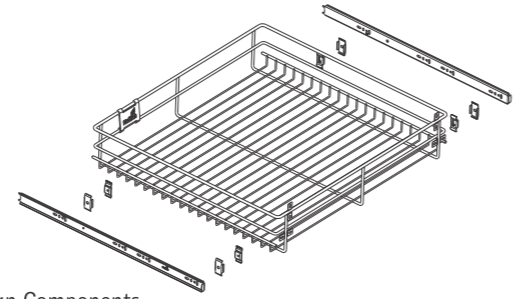


5) Logo

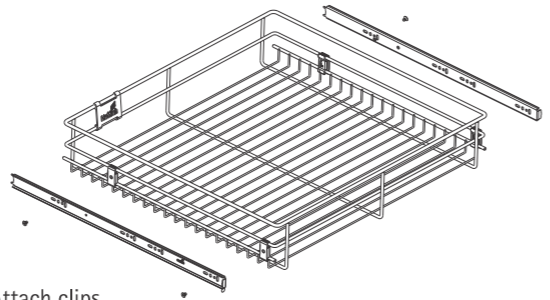


Position of Fascia attachment

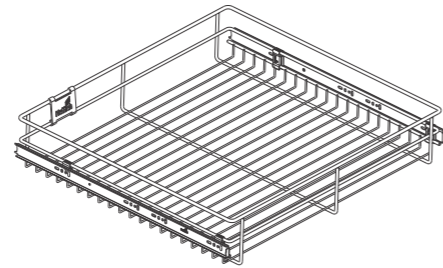
Installation stages



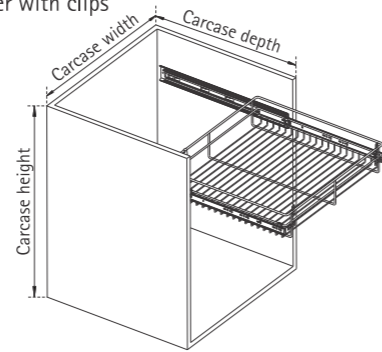
1. Align Components



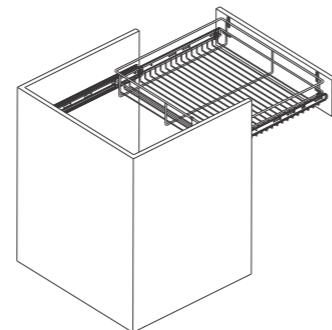
2. Attach clips



3. Fix runner with clips



4. Check alignment with Carcass



5. Final assembly, basket fixed to fascia



CargoPlus
Range summary

53



Technical information
▶ Installation

63

CargoPlus: Uniqueness of InnoTech and convenience of CargoTech combined together

To fulfil people's emerging need for a drawer system having a mix of aesthetics and functionality of InnoTech and versatile inlets of CargoTech, Hettich has introduced "CargoPlus". This unique amalgamation of our two products offers greater flexibility to people wanting to have a look, feel and usability of both drawer system and wire baskets.



Compatible with quadro runners



Load capacity 30 to 50 kg



3 way fascia adjustment



Available in two depths 470 mm & 520 mm

CargoPlus

- ▶ Range summary
- ▶ Chrome plated



Plain basket, height 70 mm

54



Plain basket, height 144 mm

55



OrgaTray 440, height 70 mm

56



Cup & saucer inlet, height 70 mm

57



Plate inlet, height 144 mm

58



Thali inlet, height 144 mm

59



Thali & plate Inlet, height 144 mm

60

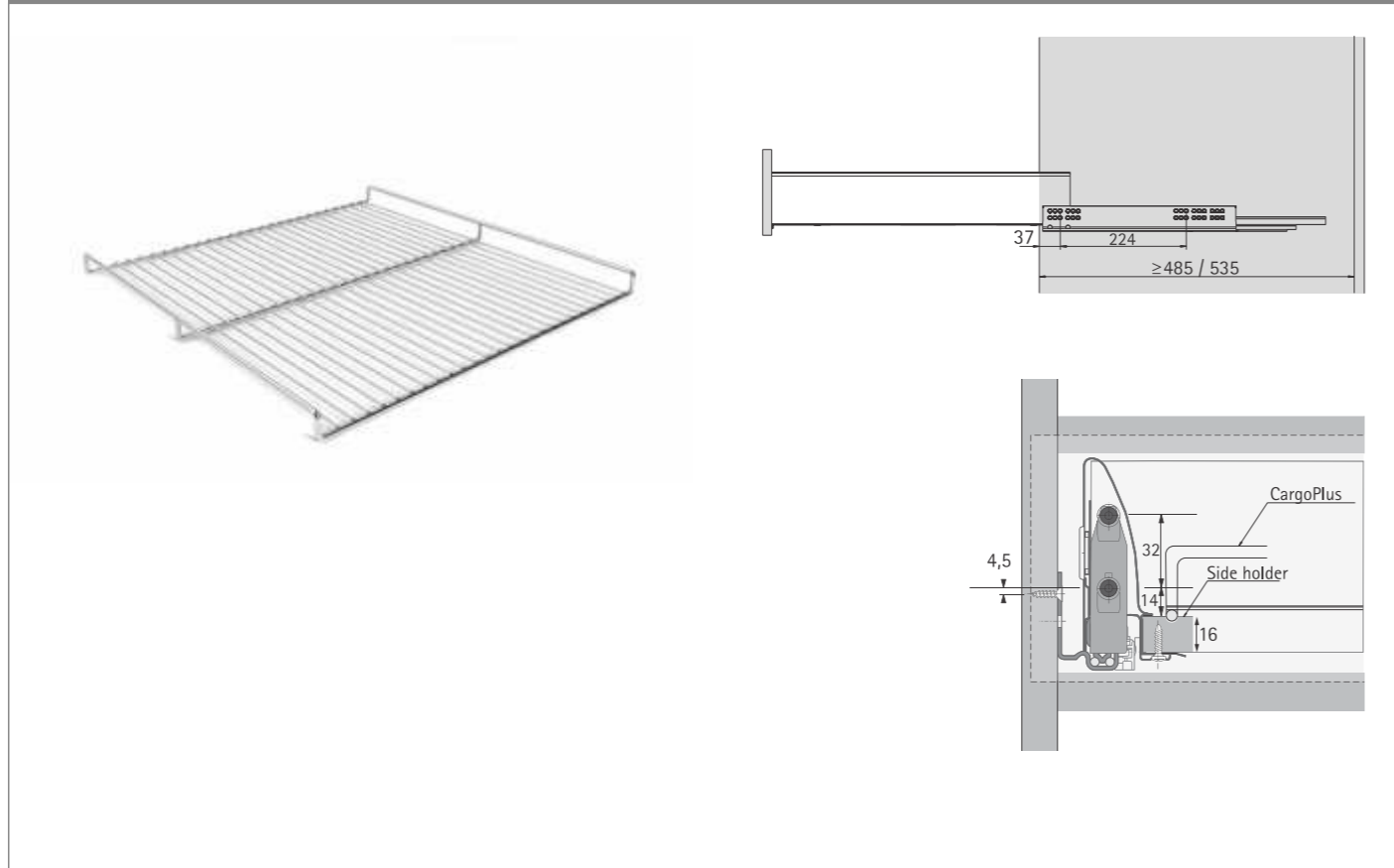
CargoPlus

- ▶ Plain basket, height 70 mm
- ▶ Chrome plated



- ▶ Available in three different sizes for external carcass widths of 450 mm, 600 mm Et 900 mm
- ▶ Order InnoTech separately
- ▶ Only for EB 9.5

Planning dimensions



Basket width mm	Carcase external width mm (for side panel thickness 18 mm)	Order no. / nominal length in mm		PU
		470 mm	520 mm	
312	450	9 216 602	9 216 605	1 pc
462	600	9 216 603	9 216 606	1 pc
762	900	9 216 604	9 216 607	1 pc

Advice

For Quadro runner, see page 126 - 128
For installation, see page 63

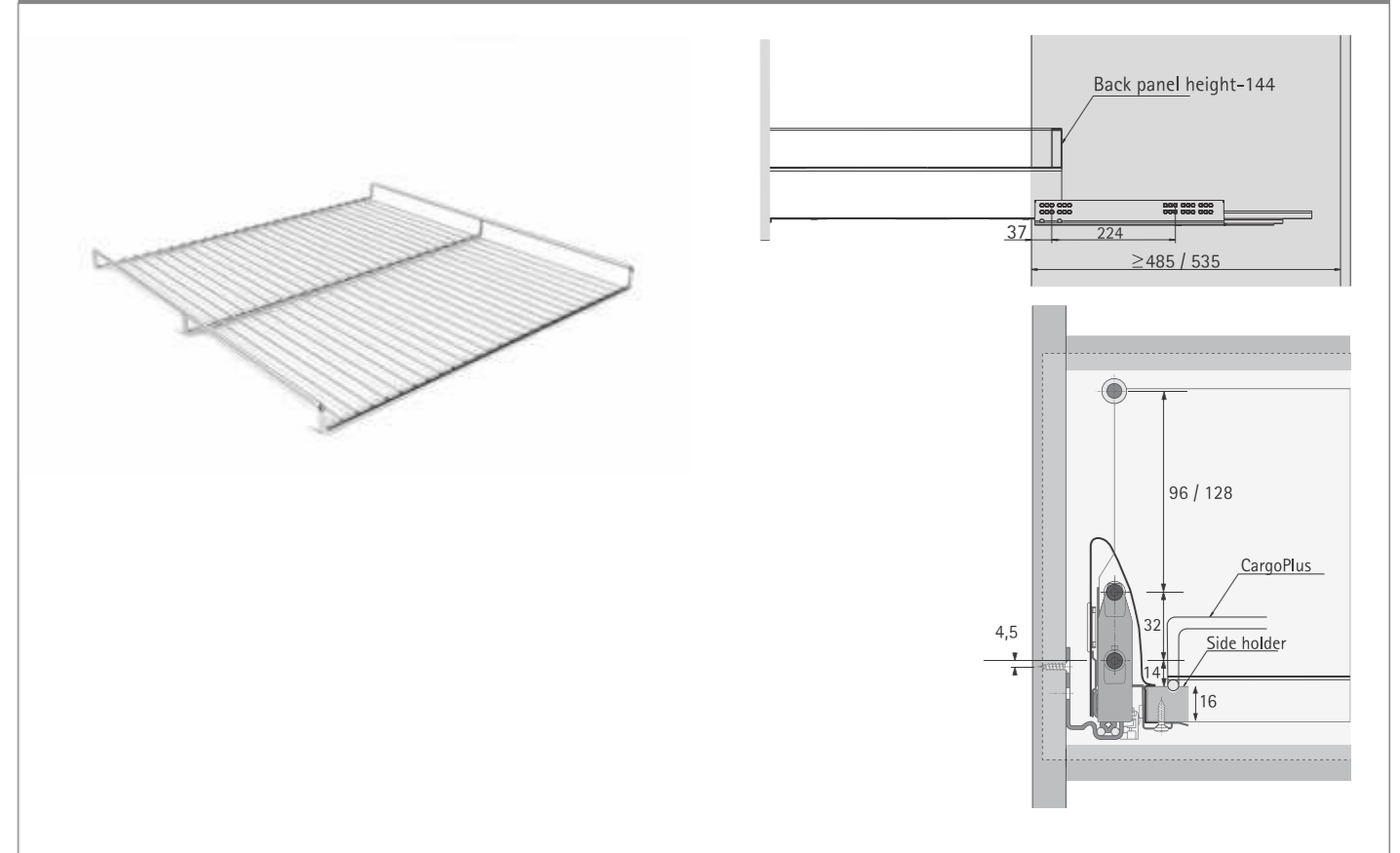
CargoPlus

- ▶ Plain basket, height 144 mm
- ▶ Chrome plated



- ▶ Available in three different sizes for external carcass widths of 450 mm, 600 mm Et 900 mm
- ▶ Order InnoTech separately
- ▶ Only for EB 9.5

Planning dimensions



Basket width mm	Carcase external width mm (for side panel thickness 18 mm)	Order no. / nominal length in mm		PU
		470 mm	520 mm	
312	450	9 216 602	9 216 605	1 pc
462	600	9 216 603	9 216 606	1 pc
762	900	9 216 604	9 216 607	1 pc

Advice

For Quadro runner, see page 126 - 128
For installation, see page 63

CargoPlus

► OrgaTray 440, height 70 mm



- For general-purpose use
- Knife holder and/or spice rack can be added
- Recommended shutter height ≥ 140 mm
- Surface finish: Silver

Planning dimensions



Partitioning

D 441 520						
W	351-400	401-450	451-500	501-550	551-600	801-850
NW	450	500	550	600	600	900

* = knife and spice rack can be incorporated

D = Depth W = Width NW = Nominal width

Carcase external width mm (for side panel thickness 18 mm)	Order no. / depth mm 441-520	PU
450	9 194 934	1 pc
500	9 194 935	1 pc
550	9 194 936	1 pc
600	9 194 937	1 pc
900	9 194 940	1 pc

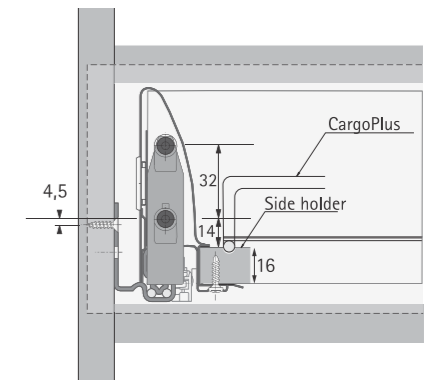
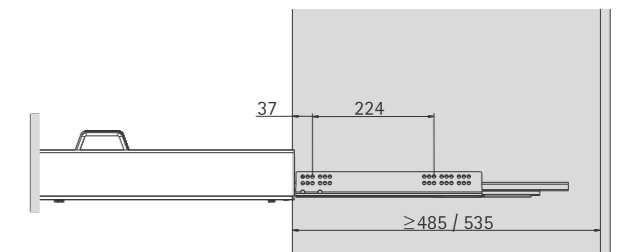
CargoPlus

► Cup & saucer inlet, height 70 mm



- Can take upto 10 regular sized saucers for 450 mm carcass width & 16 regular sized saucers for 600 mm carcass width
- Recommended shutter height ≥ 200 mm
- Order InnoTech separately
- Only for EB 9.5

Planning dimensions



Carcase external width mm (for side panel thickness 18 mm)	Order no. / nominal length in mm		PU
	470 mm	520 mm	
450	9 216 610	9 216 613	1 pc
600	9 216 616	9 216 619	1 pc

Advice

For Quadro runner, see page 126 - 128
For installation, see page 63

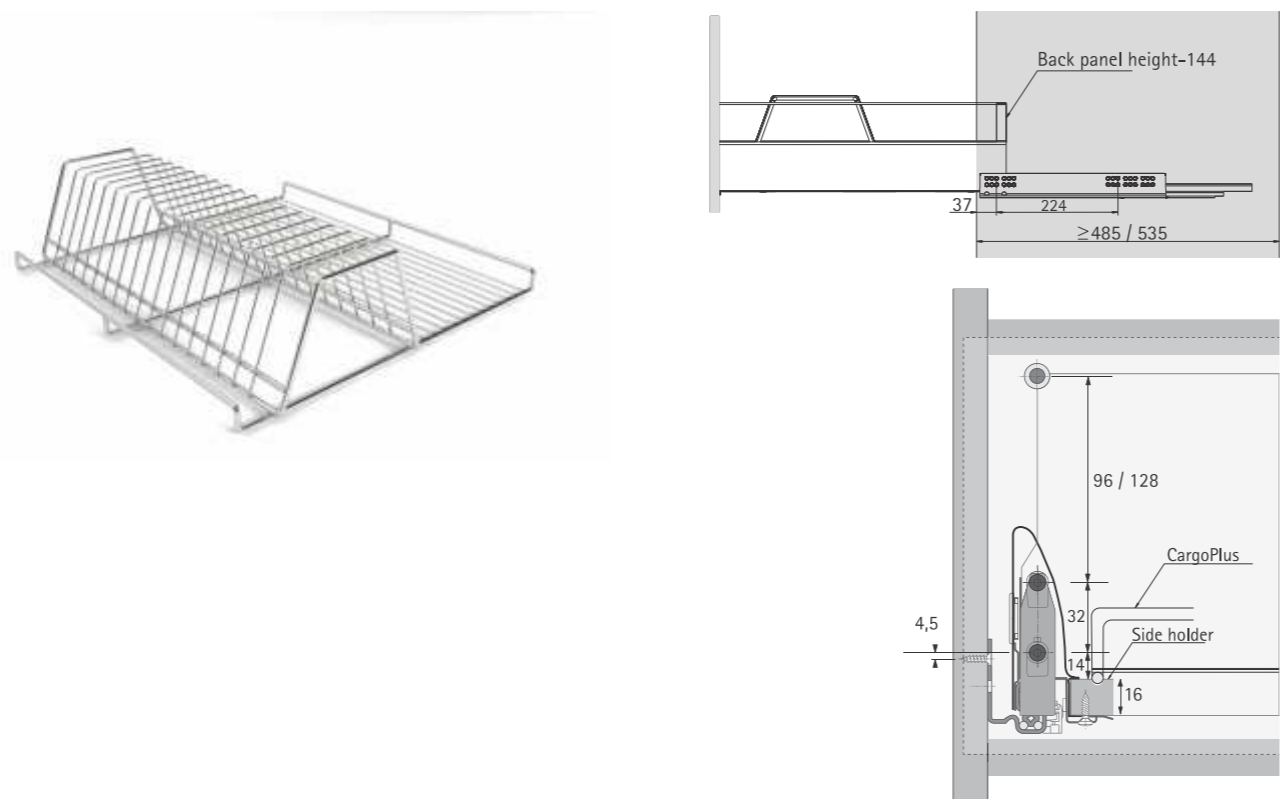
CargoPlus

► Plate inlet, height 144 mm



- Can take upto 10 regular sized plates for 450 mm carcass width & 16 regular sized plates for 600 mm carcass width
- Less clutter noise as plate touches inlet at two places
- Recommended shutter height ≥ 360 mm
- Order InnoTech separately
- Only for EB 9.5

Planning dimensions



Carcase external width mm (for side panel thickness 18 mm)	Order no. / nominal length in mm		PU
	470 mm	520 mm	
450	9 216 609	9 216 612	1 pc
600	9 216 615	9 216 618	1 pc

Advice

For Quadro runner, see page 126 - 128
For installation, see page 63

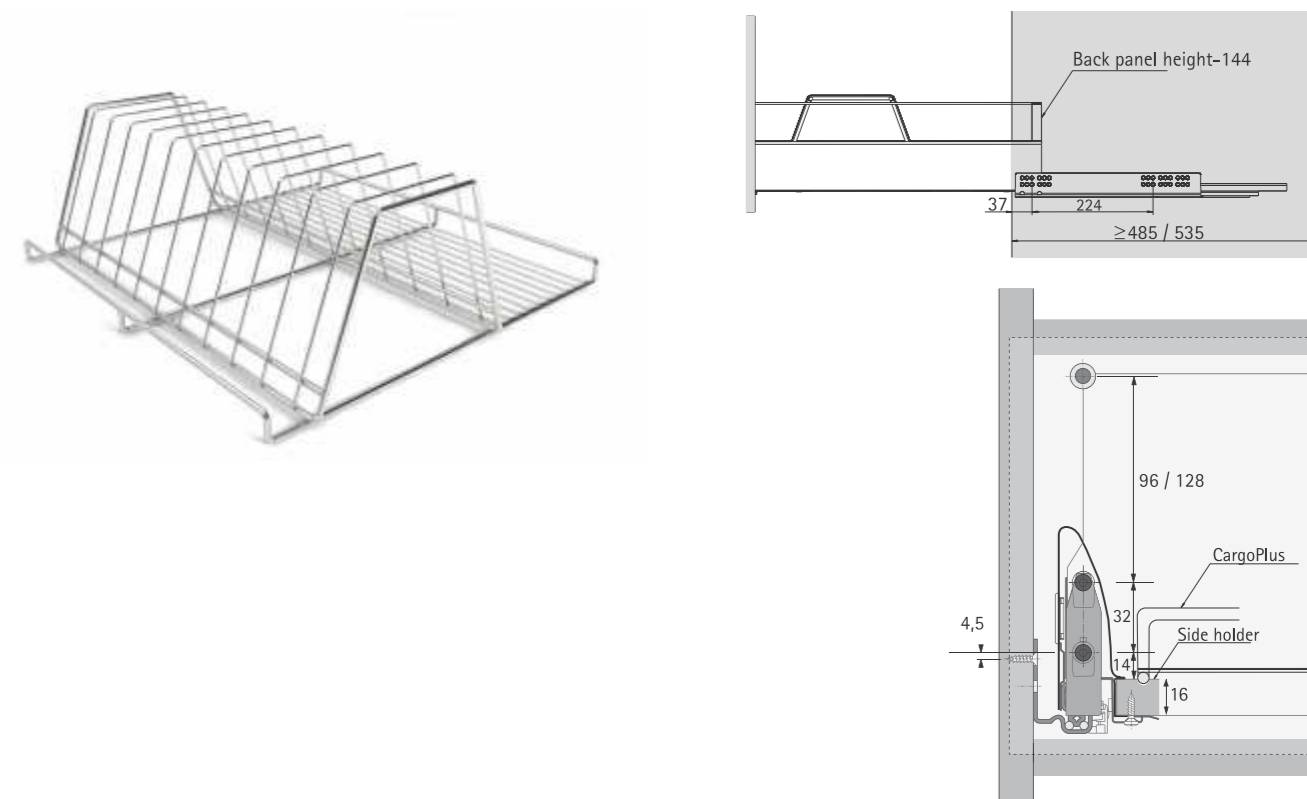
CargoPlus

► Thali inlet, height 144 mm



- Can take upto 6 regular sized thalis for 450 mm carcass width & 8 regular sized thalis for 600 mm carcass width
- Less clutter noise as thali touches inlet at two places
- Recommended shutter height ≥ 360 mm
- Order InnoTech separately
- Only for EB 9.5

Planning dimensions



Carcase external width mm (for side panel thickness 18 mm)	Order no. / nominal length in mm		PU
	470 mm	520 mm	
450	9 216 608	9 216 611	1 pc
600	9 216 614	9 216 617	1 pc

Advice

For Quadro runner, see page 126 - 128
For installation, see page 63

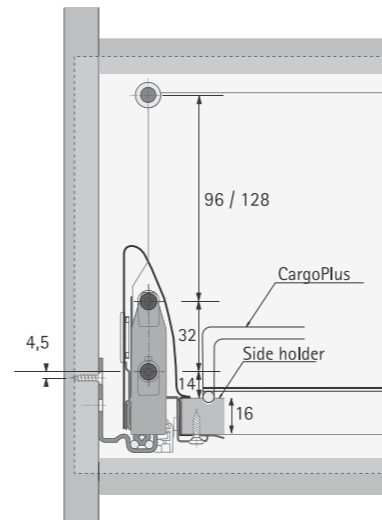
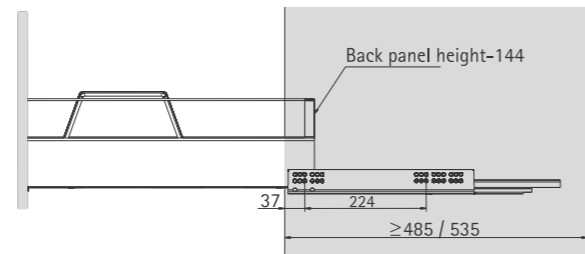
CargoPlus

▶ Thali & plate inlet, height 144 mm



- ▶ Can take upto 16 regular sized plates
- ▶ Can take upto 7 regular sized thalis
- ▶ Less clutter noise as plate touches inlet at two places
- ▶ Recommended shutter height ≥ 360 mm
- ▶ Order InnoTech separately
- ▶ Only for EB 9.5

Planning dimensions



Carcase external width mm (for side panel thickness 18 mm)	Order no. / nominal length in mm		PU
	470 mm	520 mm	
900	9 216 620	9 216 621	1 pc

Advice

For Quadro runner, see page 126 - 128
For installation, see page 63

CargoPlus

▶ Accessories

Clamp



- ▶ Set of 4 pcs to be used to mount CargoPlus

Order no.	PU
9 220 250	1 pc

Side holder

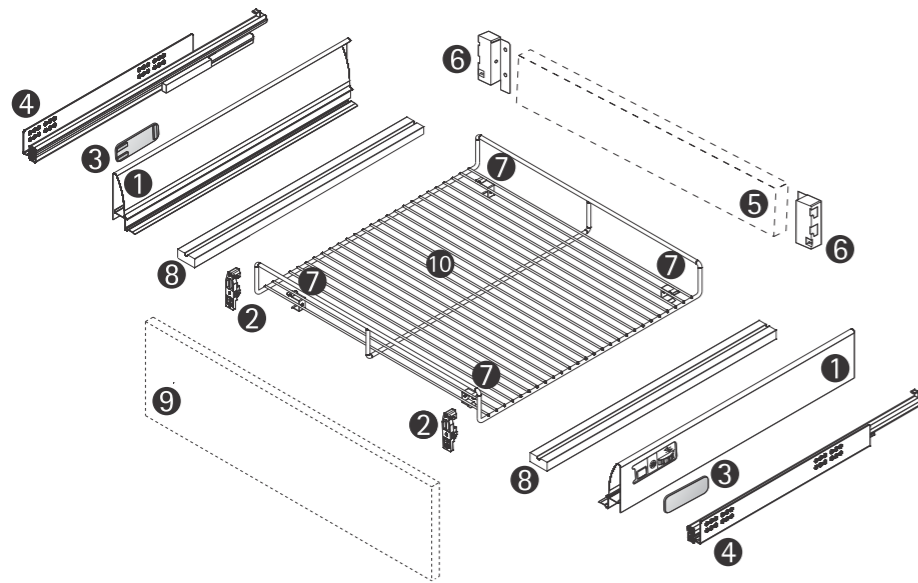


- ▶ Set of 2 pcs to be used to mount CargoPlus

Depth mm	Order no.	PU
470	9 220 552	2 pc
520	9 220 553	2 pc

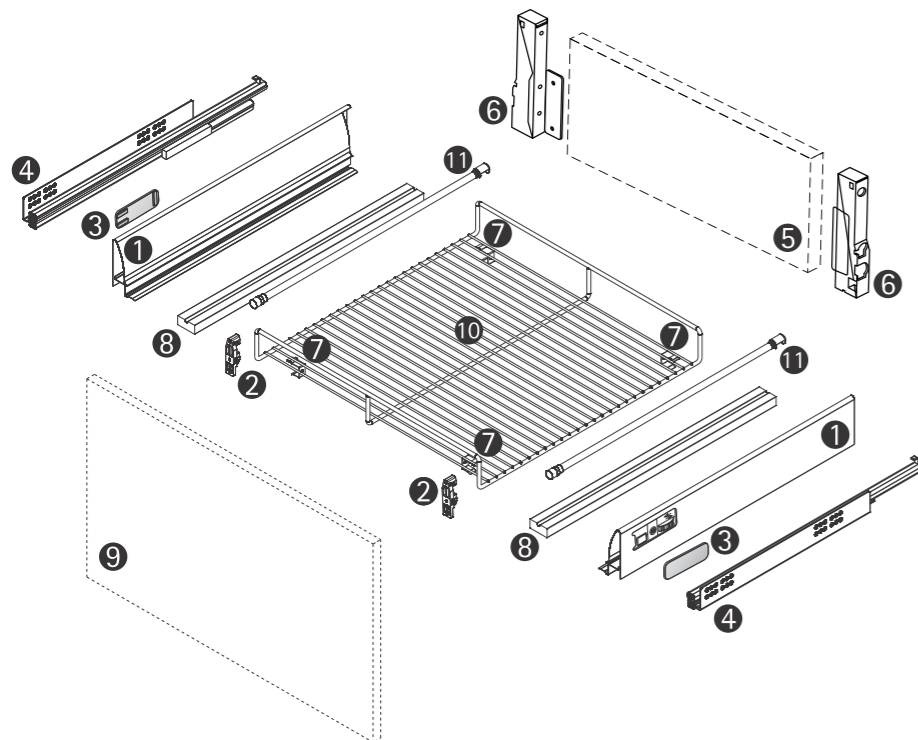


Components for 70 mm



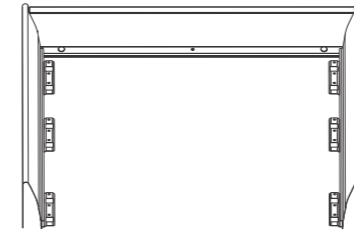
- ① Drawer side profile, left and right
- ② Drawer front connector for side profile, 2 each
- ③ Cover cap, 2 each
- ④ Quadro drawer runner, see page 126 - 128
- ⑤ Wooden rear panel
- ⑥ Rear panel connector, left and right
- ⑦ Clamp, 4 each
- ⑧ Side holder, 2 each
- ⑨ Front
- ⑩ CargoPlus

Components for 144 mm

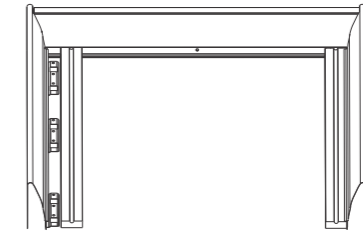


- ① Drawer side profile, left and right
- ② Drawer front connector for side profile, 2 each
- ③ Cover cap, 2 each
- ④ Quadro drawer runner, see page 126 - 128
- ⑤ Wooden rear panel
- ⑥ Rear panel connector, left and right
- ⑦ Clamp, 4 each
- ⑧ Side holder, 2 each
- ⑨ Front
- ⑩ CargoPlus
- ⑪ Lengthwise railing, 2 each

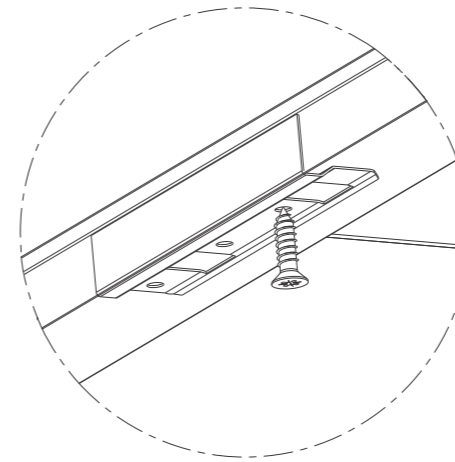
Installation Stages



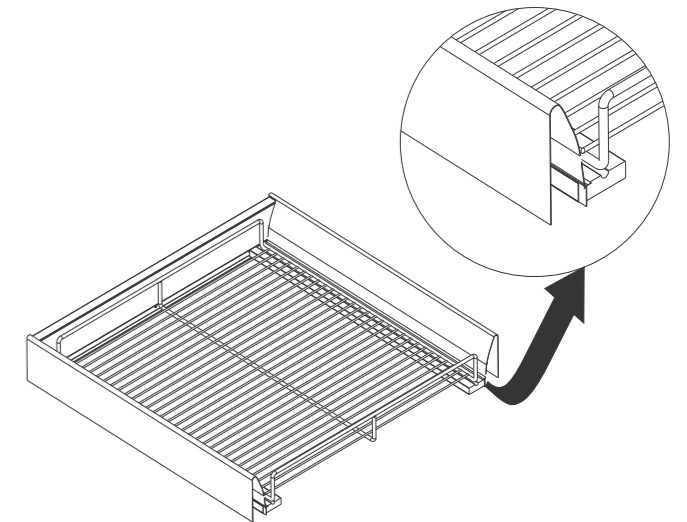
1. Assemble InnoTech with back panel



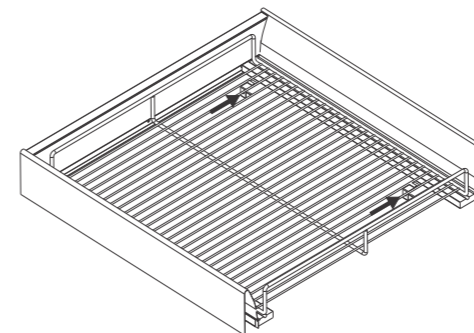
2. Place side holder in InnoTech bottom panel slot



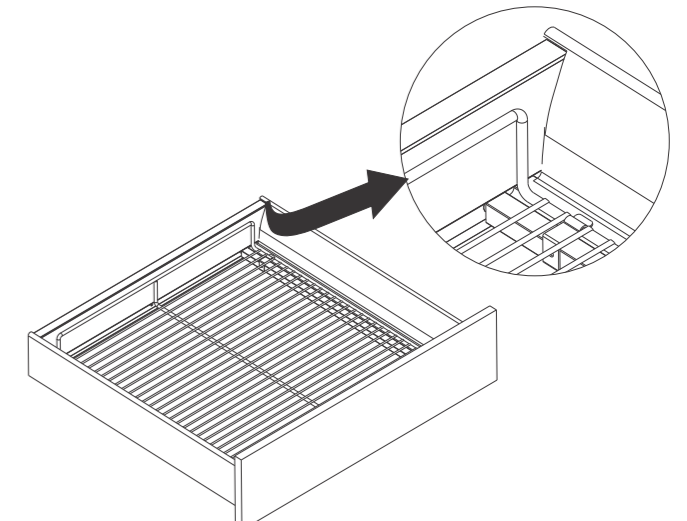
3. Fix side holder with screws from bottom



4. Place CargoPlus in side holder groove



5. Slide clamps to fix CargoPlus to side holders



6. Fix clamp on all four corners as shown in picture



CargoFlexi is a unique system that takes modularity concept to the next level. The core area of usage of this system are Indian Kitchens, as many times kitchen has non-standard under counter partitions, mostly done during the interior work of the premises. This system provides flexibility to adjust to different widths.



CargoFlexi
Range summary

67



Inlets
Range summary

67



Technical information
▶ Planning dimensions & Installation

77 - 79



Compatible with quadro & telescopic runners



Load capacity 35 to 60 kg



3 way fascia adjustment



Available depth 500 mm

CargoFlexi

- ▶ Range summary
- ▶ Chrome plated



Plain basket, height 100 mm

68



Plain basket, height 150 mm

69



Plain basket, height 200 mm

70



Cutlery inlet

71



OrgaTray 440

72



Cup inlet

73



Saucer inlet

74



Plate inlet

75



Thali inlet

76

CargoFlexi

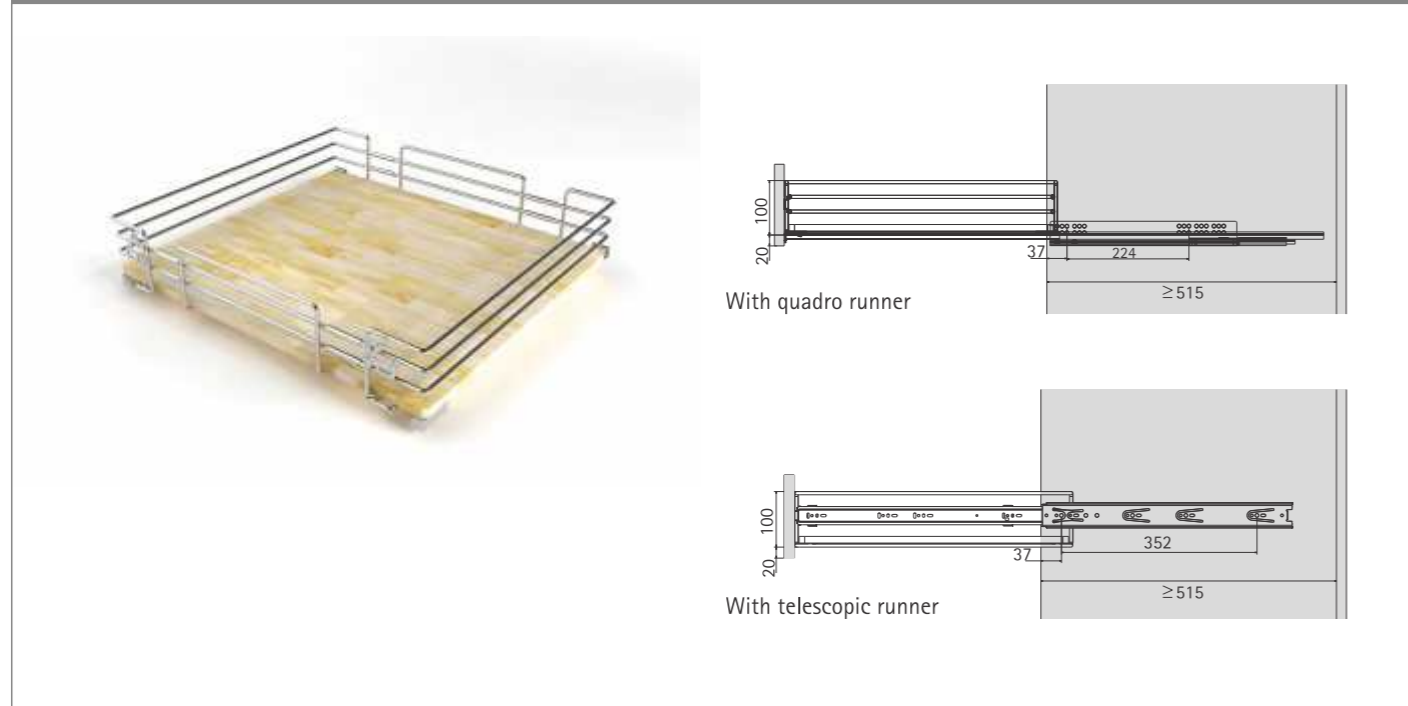
- ▶ Basket, height 100 mm
- ▶ Chrome plated



- ▶ Basket widths possible: 362 to 858 mm
- ▶ Possible width adjustment upto +/- 25 mm
- ▶ Compatible with both, KA telescopic & Quadro runners
- ▶ Base material option: Engineered wood
- ▶ Wood board thickness: 12 mm
- ▶ Adaptable with complete range of CargoTech inlets
- ▶ Order runner & clamps accordingly

Basket depth mm	500
Minimum carcass internal depth mm	515

Planning dimensions



Basket width mm	Carcass external width mm (for side panel thickness 18 mm)	Order no. / nominal length in mm 500	PU
362 - 412	426 - 476	9 221 100	1 pc
412 - 462	476 - 526	9 221 103	1 pc
462 - 512	526 - 576	9 221 106	1 pc
508 - 583	572 - 647	9 221 109	1 pc
583 - 658	647 - 722	9 221 114	1 pc
608 - 683	672 - 747	9 221 117	1 pc
683 - 758	747 - 822	9 221 120	1 pc
708 - 783	772 - 847	9 221 124	1 pc
783 - 858	847 - 922	9 221 127	1 pc

Advice

For Quadro & KA Telescopic runner, see page 126 - 131
For planning dimensions & installation, see page 77 - 79

CargoFlexi

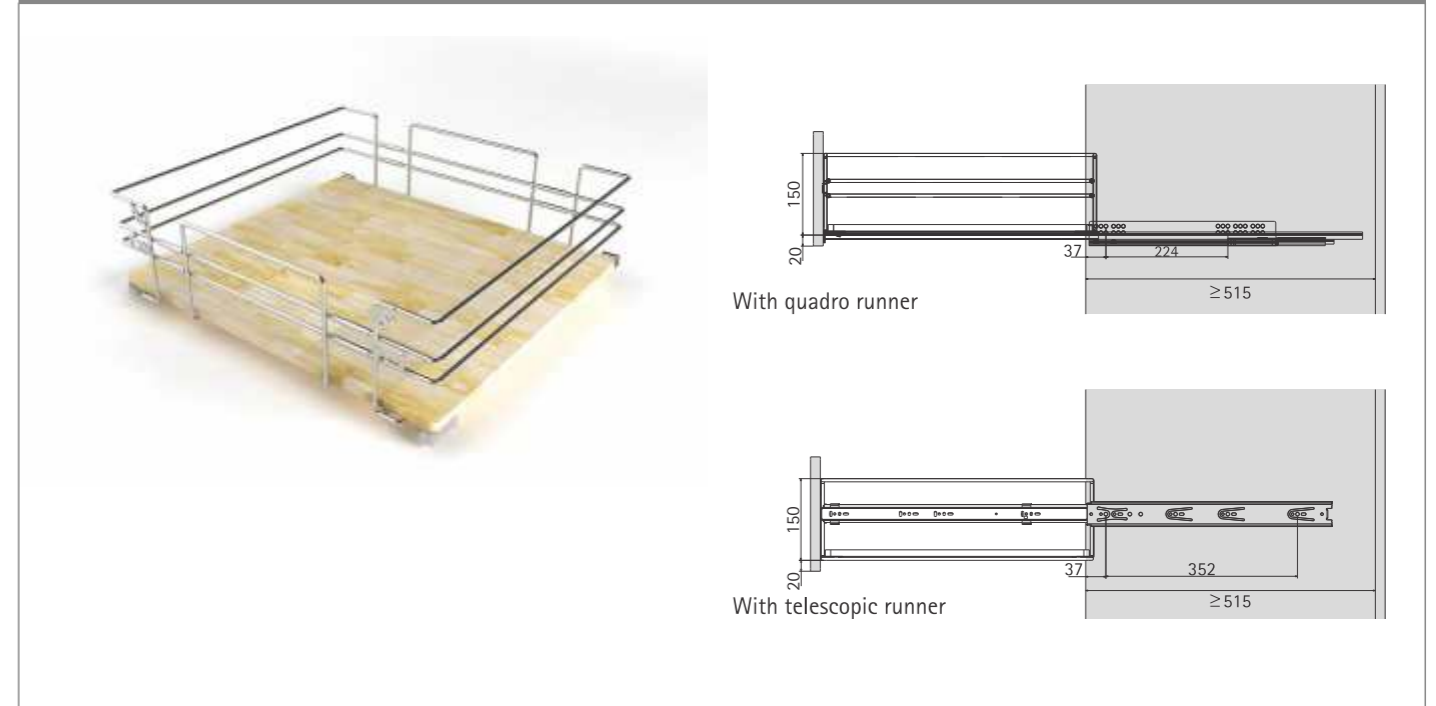
- ▶ Basket, height 150 mm
- ▶ Chrome plated



- ▶ Basket widths possible: 362 to 858 mm
- ▶ Possible width adjustment upto +/- 25 mm
- ▶ Compatible with both, KA telescopic & Quadro runners
- ▶ Base material option: Engineered wood
- ▶ Wood board thickness: 12 mm
- ▶ Adaptable with complete range of CargoTech inlets
- ▶ Order runner & clamps accordingly

Basket depth mm	500
Minimum carcass internal depth mm	515

Planning dimensions



Basket width mm	Carcass external width mm (for side panel thickness 18 mm)	Order no. / nominal length in mm 500	PU
362 - 412	426 - 476	9 221 101	1 pc
412 - 462	476 - 526	9 221 104	1 pc
462 - 512	526 - 576	9 221 107	1 pc
508 - 583	572 - 647	9 221 111	1 pc
583 - 658	647 - 722	9 221 115	1 pc
608 - 683	672 - 747	9 221 118	1 pc
683 - 758	747 - 822	9 221 121	1 pc
708 - 783	772 - 847	9 221 125	1 pc
783 - 858	847 - 922	9 221 128	1 pc

Advice

For Quadro & KA Telescopic runner, see page 126 - 131
For planning dimensions & installation, see page 77 - 79

CargoFlexi

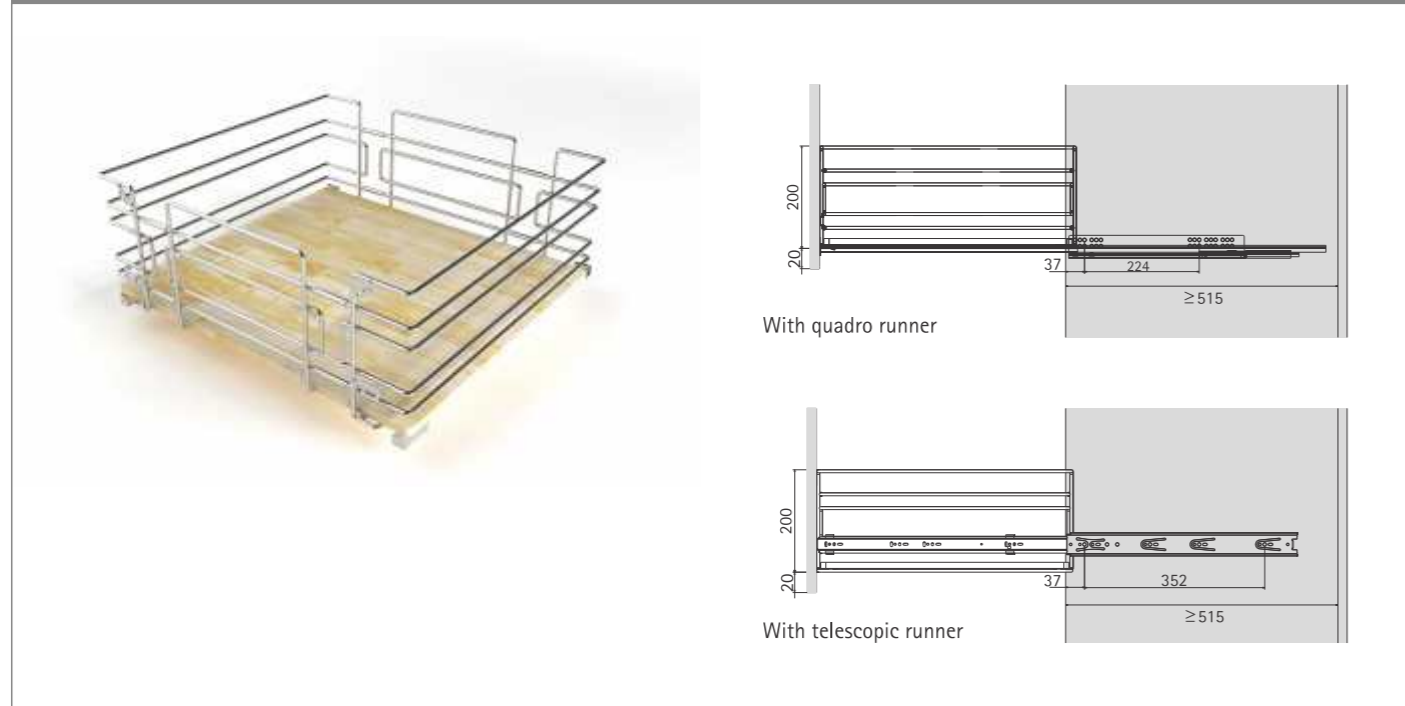
- ▶ Basket, height 200 mm
- ▶ Chrome plated



- ▶ Basket widths possible: 362 to 858 mm
- ▶ Possible width adjustment upto +/- 25 mm
- ▶ Compatible with both, KA telescopic & Quadro runners
- ▶ Base material option: Engineered wood
- ▶ Wood board thickness: 12 mm
- ▶ Adaptable with complete range of CargoTech inlets
- ▶ Order runner & clamps accordingly

Basket depth mm	500
Minimum carcass internal depth mm	515

Planning dimensions



Basket width mm	Carcass external width mm (for side panel thickness 18 mm)	Order no. / nominal length in mm 500	PU
362 - 412	426 - 476	9 221 102	1 pc
412 - 462	476 - 526	9 221 105	1 pc
462 - 512	526 - 576	9 221 108	1 pc
508 - 583	572 - 647	9 221 112	1 pc
583 - 658	647 - 722	9 221 116	1 pc
608 - 683	672 - 747	9 221 119	1 pc
683 - 758	747 - 822	9 221 123	1 pc
708 - 783	772 - 847	9 221 126	1 pc
783 - 858	847 - 922	9 221 139	1 pc

Advice

For Quadro & KA Telescopic runner, see page 126 - 131
For planning dimensions & installation, see page 77 - 79

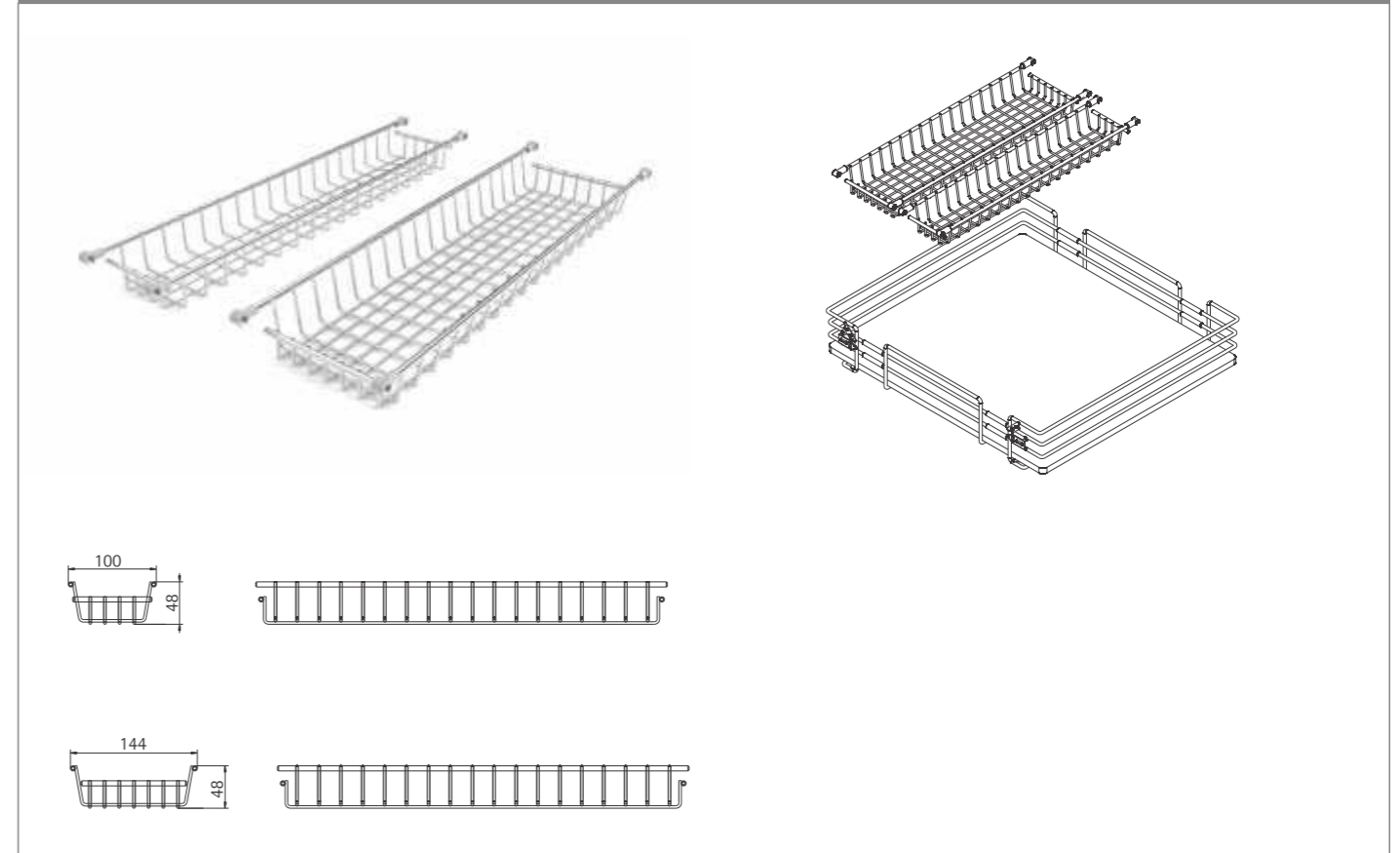
CargoFlexi

- ▶ Cutlery inlet



- ▶ To be used with 100 mm CargoFlexi basket
- ▶ Convenient way of storing cutlery
- ▶ Four end connectors fix inlet to basket on 2nd wire from the top
- ▶ Available widths- 100 mm & 144 mm, combination of these two fit in all baskets widths
- ▶ Recommended shutter height ≥ 140 mm

Planning dimensions



Inlet width mm	Order no. / nominal length in mm 500	PU
100	9 190 416	1 pc
144	9 190 417	1 pc



- ▶ For general-purpose use
- ▶ Knife holder and/or spice rack can be added
- ▶ Surface finish: Silver

Planning dimensions



Partitioning

D 441 520					
W	351-400	401-450	451-500	501-550	801-850
NW	450	500	550	600	900

* = knife and spice rack can be incorporated

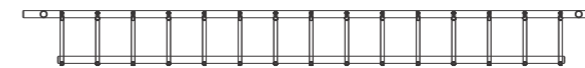
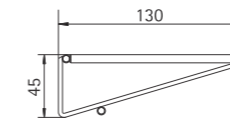
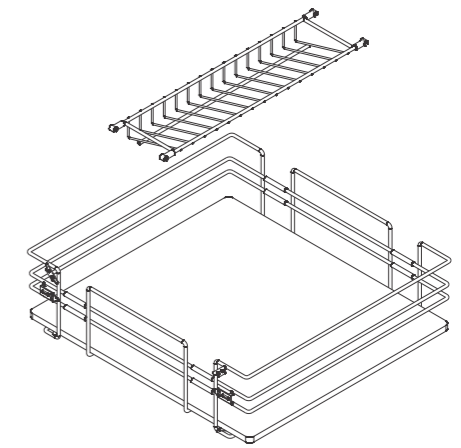
D = Depth W = Width NW = Nominal width

Carcase external width mm (for side panel thickness 18 mm)	Order no. / depth mm 441-520 mm	PU
450	9 194 934	1 pc
500	9 194 935	1 pc
550	9 194 936	1 pc
600	9 194 937	1 pc
900	9 194 940	1 pc



- ▶ To be used with 150 mm CargoFlexi basket
- ▶ Four end connectors fix inlet to basket on 2nd wire from the top
- ▶ Recommended shutter height ≥ 200 mm
- ▶ Number of cups for basket depth:
500 mm - 6 nos.

Planning dimensions



Inlet width mm	Order no. / nominal length in mm 500	PU
130	9 156 346	1 pc

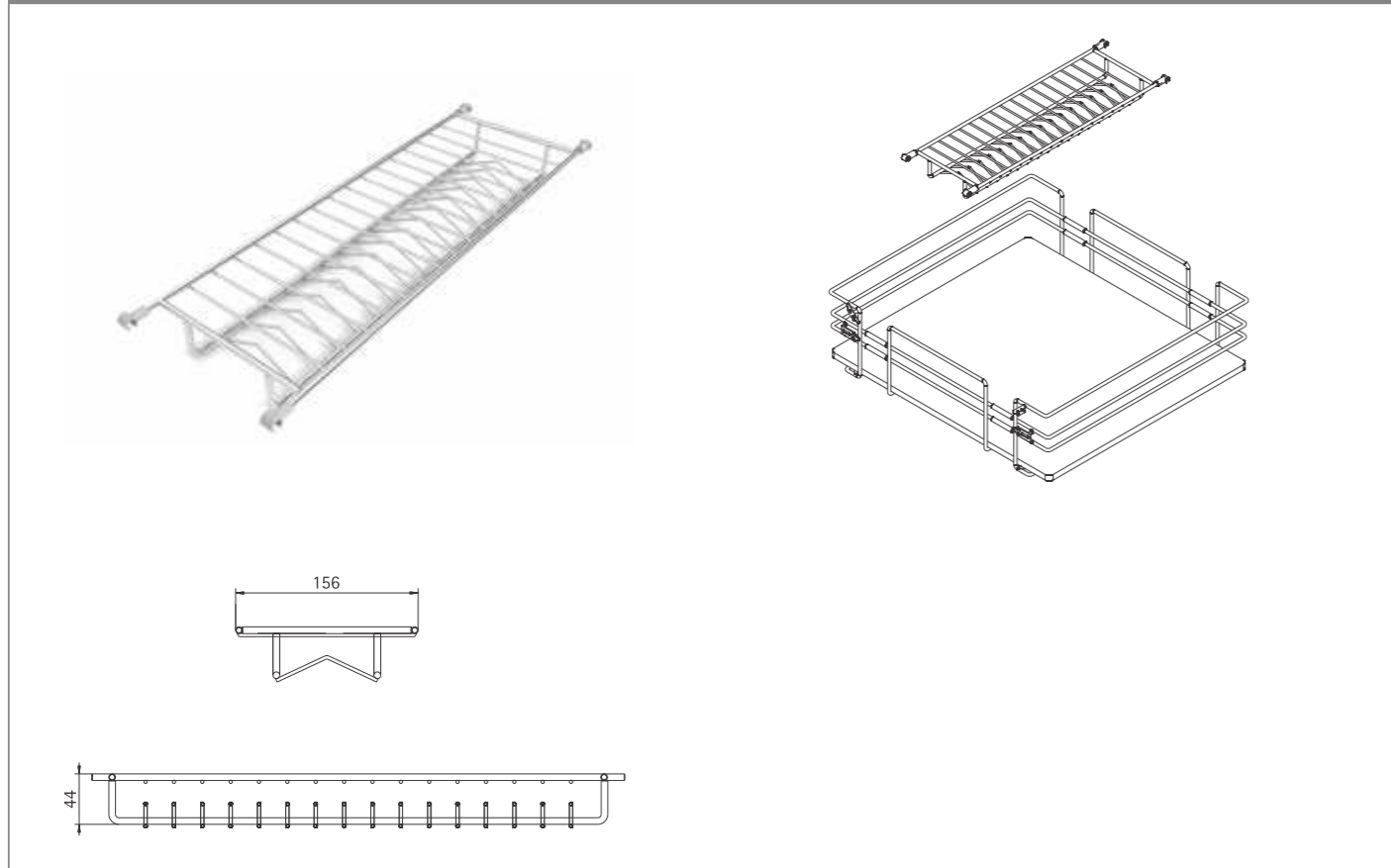
CargoFlexi

► Saucer inlet



- To be used with 150 mm CargoFlexi basket
- Four end connectors fix inlet to basket on 2nd wire from the top
- Recommended shutter height ≥ 200 mm
- Number of saucers for basket depth: 500 mm - 17 nos.

Planning dimensions



Inlet width mm	Order no. / nominal length in mm 500	PU
156	9 156 345	1 pc

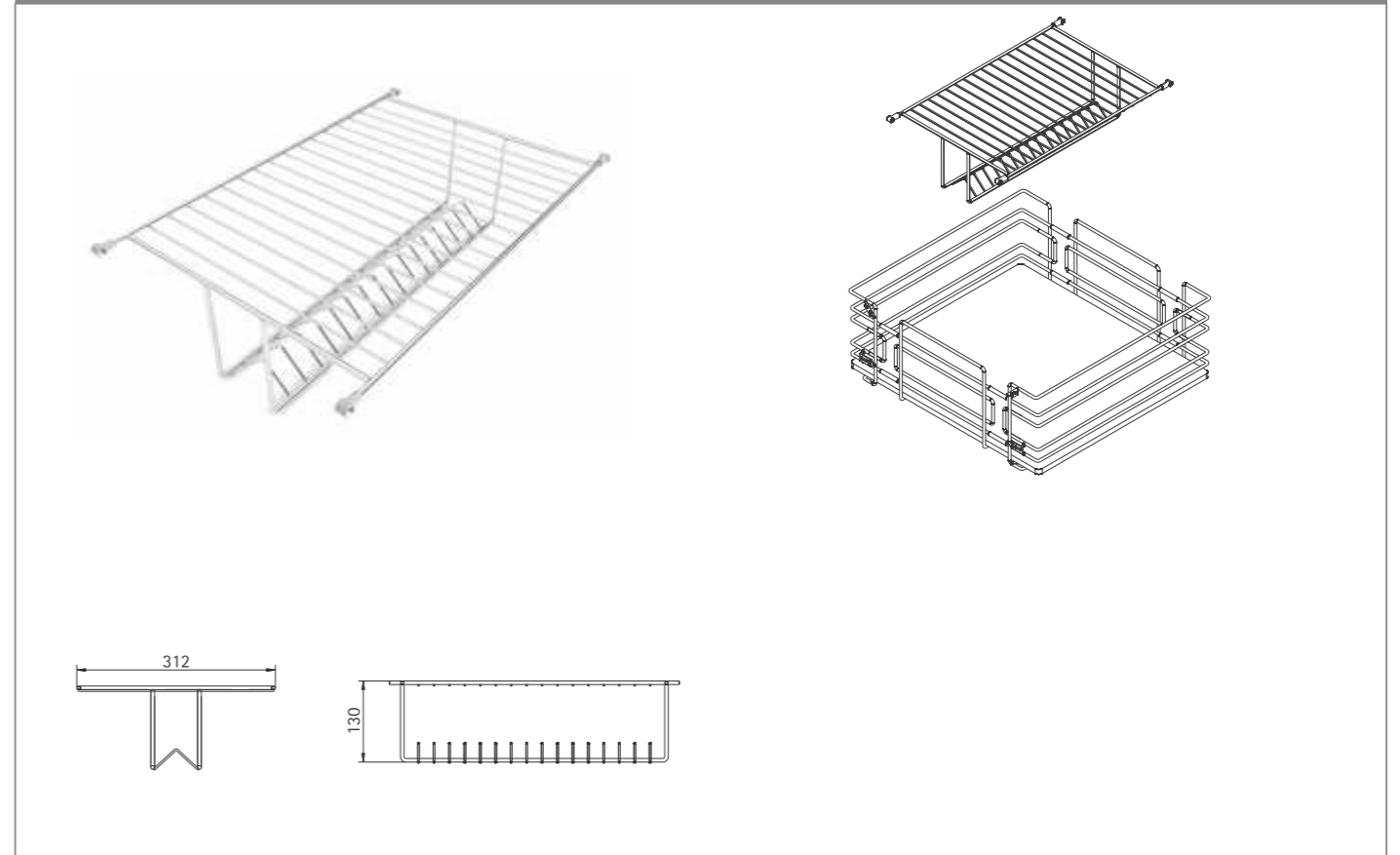
CargoFlexi

► Plate inlet



- To be used with 200 mm CargoFlexi basket
- Four end connectors fix inlet to basket on 2nd wire from the top
- Less clutter noise as plate touches inlet at two places
- Recommended shutter height ≥ 360 mm
- Number of plates for basket depth: 500 mm - 17 nos.

Planning dimensions

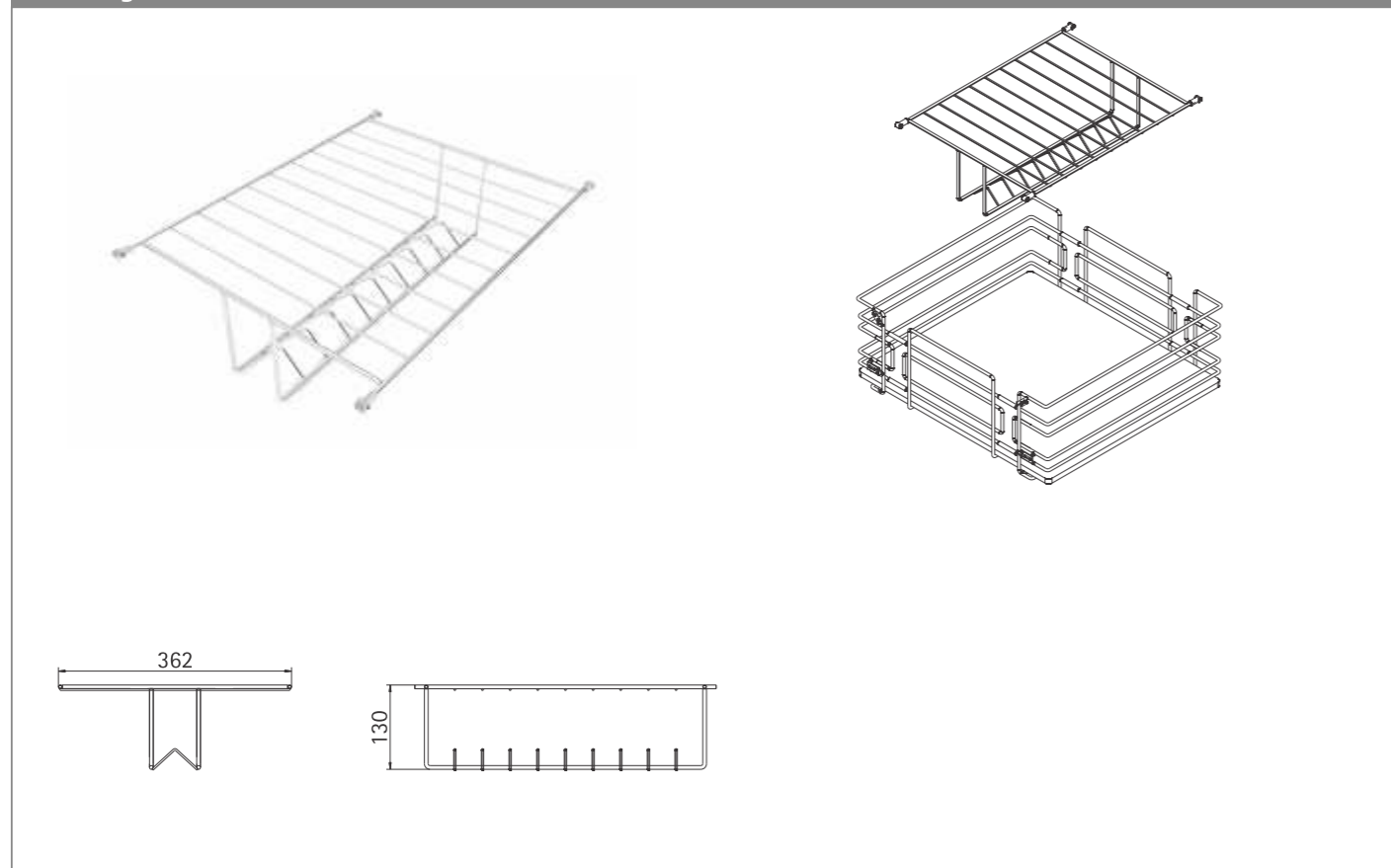


Inlet width mm	Order no. / nominal length in mm 500	PU
312	9 156 343	1 pc

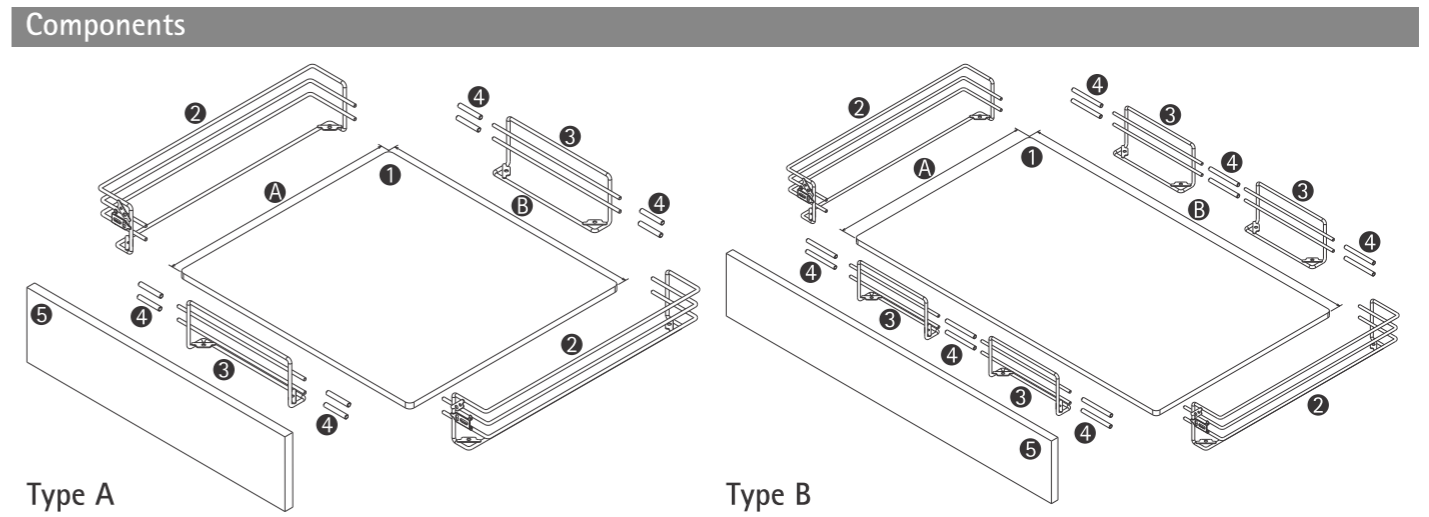


- To be used with 200 mm CargoFlexi basket
- Four end connectors fix inlet to basket on 2nd wire from the top
- Less clutter noise as thali touches inlet at two places
- Recommended shutter height ≥360 mm
- Number of thalis for basket depth:
500 mm - 10 nos.

Planning dimensions



Inlet width mm	Order no. / nominal length in mm 500	PU
362	9 156 342	1 pc



- ❶ Bottom panel (12 mm thick)
- ❷ Side panel, left and right
- ❸ Middle panel, front and rear
- ❹ Spacers (54 mm & 79 mm long)
- ❺ Front

Dimensions for cutting bottom panel size

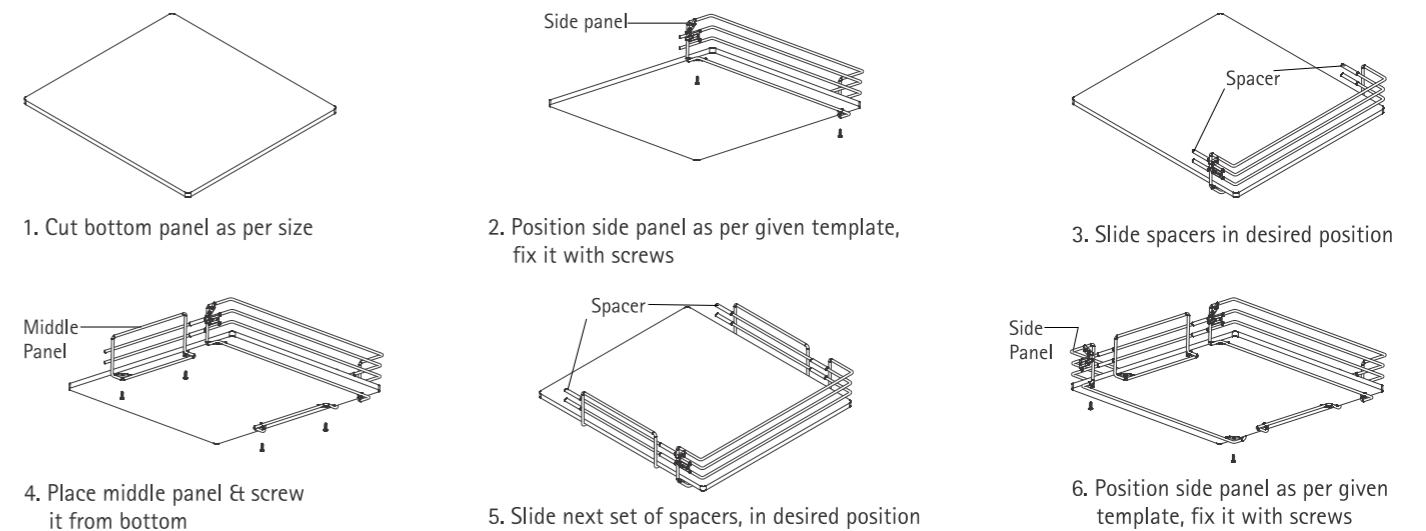
Dimension	Bottom panel
A	LB - (2 x 14)
B	NL - 15

LB - Carcase internal width
NL - Product depth

Planning for width adjustment for heights 100 / 150 / 200 mm

Carcase external width range mm (for side panel thickness 18 mm)	Basket width range mm	Side panel	Middle panel	Spacer	
426 - 476	362 - 412	108 x 2	146 x 2	54 x 8	Type A
476 - 526	412 - 462	108 x 2	196 x 2	54 x 8	
526 - 576	462 - 512	108 x 2	246 x 2	54 x 8	
572 - 647	508 - 583	108 x 2	146 x 4	54 x 12	Type B
647 - 722	583 - 658	108 x 2	146 x 4	79 x 12	
672 - 747	608 - 683	108 x 2	196 x 4	54 x 12	
747 - 822	683 - 758	108 x 2	196 x 4	79 x 12	
772 - 847	708 - 783	108 x 2	246 x 4	54 x 12	
847 - 922	783 - 858	108 x 2	246 x 4	79 x 12	

CargoFlexi Assembly Stages





Components



1) CargoFlexi



2) Quadro Runner

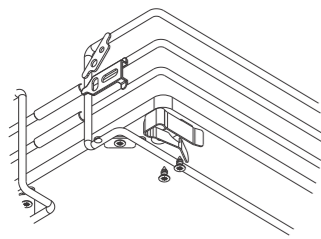


3) Front Clip

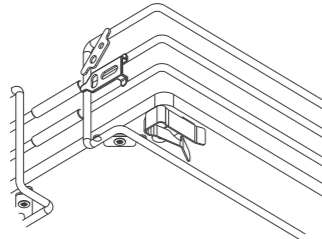


4) Rear Clip

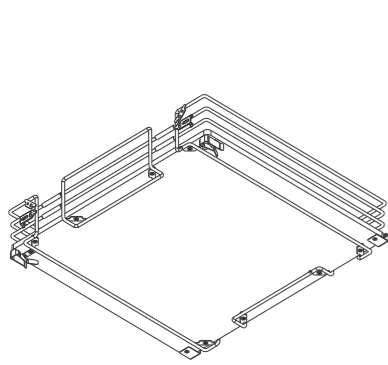
Installation stages



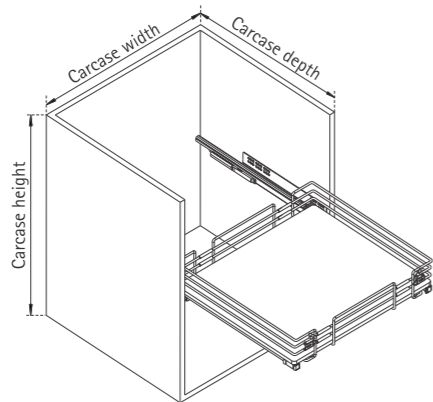
1. Fix front clip with the help of screws



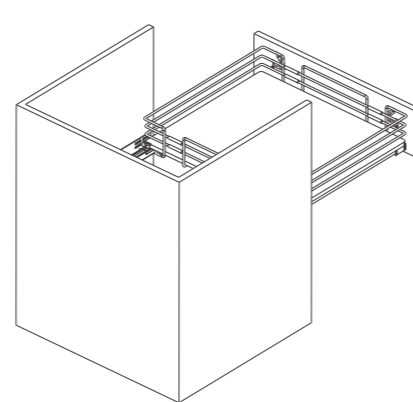
2. Fix rear clip with the help of screws



3. Fix front & rear clip to basket, as shown



4. Place basket over Quadro runner & fix it



5. Final assembly, basket fixed to fascia

Components



1) CargoFlexi

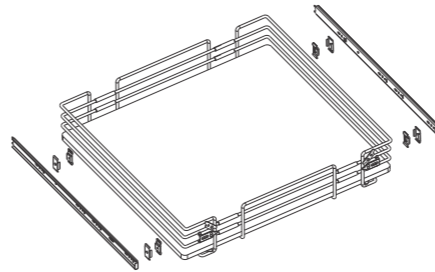


2) KA Telescopic Runner

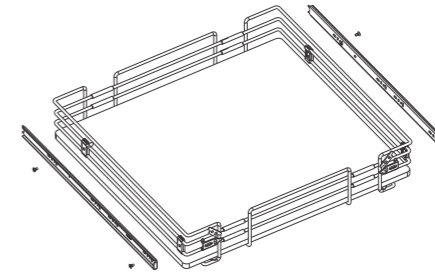


3) Clips

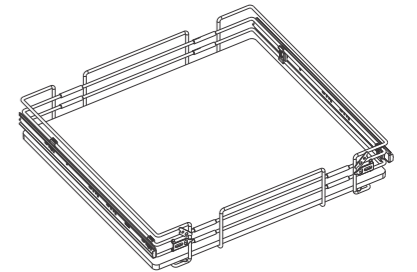
Installation stages



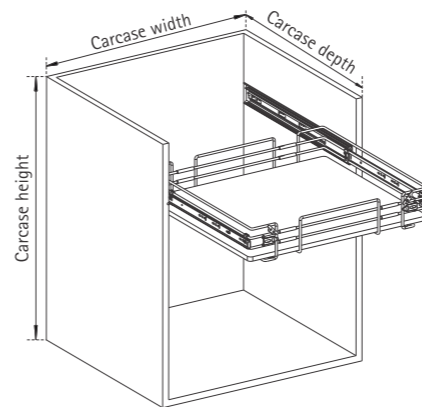
1. Align Components



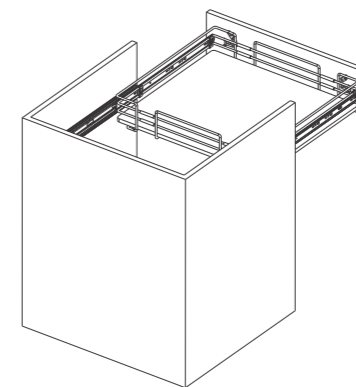
2. Attach clips



3. Fix runner with clips



4. Check alignment with Carcase



5. Final assembly, basket fixed to fascia

Fitting systems for kitchens
Summary

82 - 83



Fitting system for wardrobe interiors
Summary

118 - 119





Neat on the outside, clever inside. That's the motto of modern kitchens. Intelligent fitting systems from Hettich let you include innovative functions behind attractive front panels. Also make efficient use of small midway sections, narrow cabinets and inaccessible corner to the benefit of your customers: provide unobstructed, easy access to storage space. The versatile organiser systems can be matched to the user's specific needs. High quality materials and attractive design define the look of first class quality.



Base unit interior fittings
Range summary

83



Waste collecting systems
Range summary

97



Interior fittings for larder units
Summary

103



Wall unit interior fittings
Range summary

109



Midway unit
Range summary

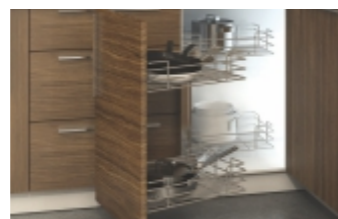
112 - 113



Pantry unit



Over head solution



Corner solution



Under sink solution

Fitting systems for kitchens

- ▶ Base unit interior fittings
- ▶ Range summary



Cargo IQ 200
86 - 87



Cargo IQ 300
88 - 89



Spice pull out, 3-tier
90 - 91



Moving corner
92



Under sink basket
93



Detergent holder
94



Cylinder trolley
95

Base unit interior fittings

► Cargo IQ 200



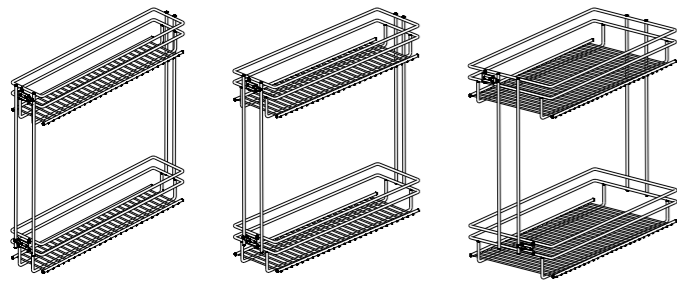
- Convenience of modular concept
- Sturdy stainless steel wire basket structure
- Combines convenience with unmatched running action stability and strength
- Available for three different cabinet widths
- Loading capacity 22.5-30 kg with KA telescopic & 15-20 kg with Quadro runner
- Can be mounted to the right, left or diagonally (200 & 300 only)
- Front panel precise adjustment with fascia parts
- Finish: Chrome plated
- Compatible with 450 mm Quadro & 500 mm KA telescopic runner only
- Order runner & clamps accordingly

Product details

A) 150 mm

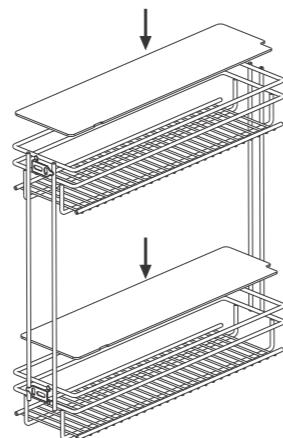
B) 200 mm

C) 300 mm



Size	150 mm	200 mm	300 mm
Weight capacity (with KA)	22.5 kg	26.25 kg	30 kg
Weight capacity (with Quadro)	15 kg	17.5 kg	20 kg
Internal carcass size	W:112 mm D: 495 mm H: 590 mm	W:162 mm D: 495 mm H: 590 mm	W:262 mm D: 495 mm H: 590 mm

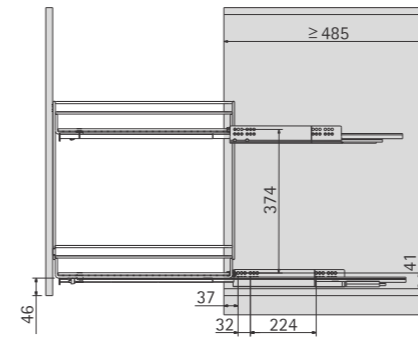
Plastic bottom



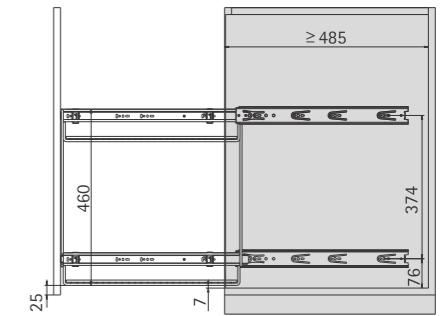
Base unit interior fittings

► Cargo IQ 200

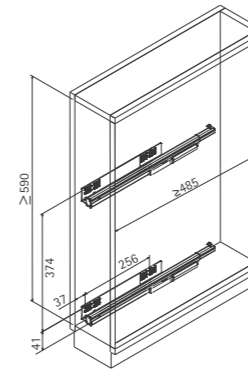
Planning dimensions



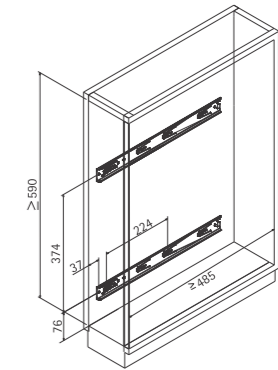
With quadro runner



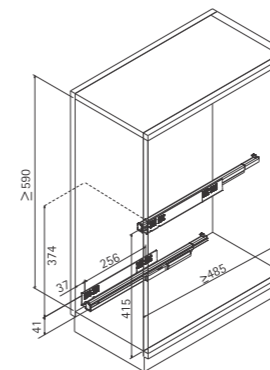
With KA telescopic runner



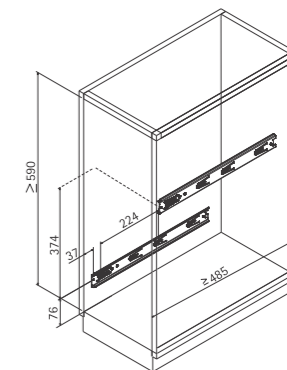
Single side mounting for 150 mm & 200 mm with quadro runner



Single side mounting for 150 mm & 200 mm with KA telescopic runner



Diagonal mounting for 300 mm with quadro runner



Diagonal mounting for 300 mm with KA telescopic runner

Article	Order no.	PU
Cargo IQ 200 for carcass size- 150 mm	9 161 045	1 pc
Plastic bottom for 150 mm	9 197 059	2 pc
Cargo IQ 200 for carcass size- 200 mm	9 161 046	1 pc
Plastic bottom for 200 mm	9 197 060	2 pc
Cargo IQ 200 for carcass size- 300 mm	9 161 047	1 pc
Plastic bottom for 300 mm	9 197 131	2 pc

Advice

For Quadro & KA Telescopic runner, see page 126 - 131
Installation similar to CargoTech basket, see page 32 - 33

Base unit interior fittings

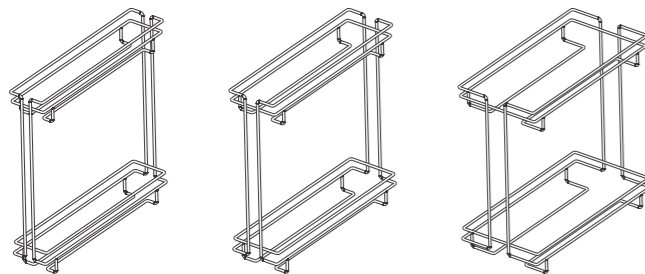
► Cargo IQ 300



- Unique sleek solid looking stainless steel wire basket structure, with convenience of modular concept
- Both layers with plastic bottom makes it visually appealing and sturdy
- Combines convenience with unmatched running action, stability & strength
- Available for three different cabinet widths
- Loading capacity 22.5 to 30 kg with KA telescopic runner
- Can be mounted to the right, left or diagonally (200 & 300 only)
- Front panel precise adjustment with fascia parts
- Finish : Chrome Plated
- Compatible with 500 mm KA telescopic runner only
- Order telescopic runner & clamps separately

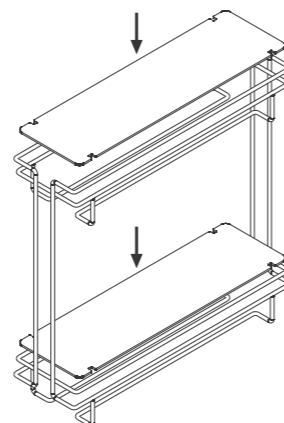
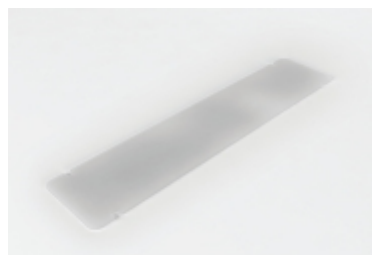
Product details

A) 150 mm B) 200 mm C) 300 mm



Size	150 mm	200 mm	300 mm
Weight capacity (with KA)	22.5 kg	26.25 kg	30 kg
Intenal carcass dimension	W:112 mm D: 515 mm H: 590 mm	W:162 mm D: 515 mm H: 590 mm	W:262 mm D: 515 mm H: 590 mm

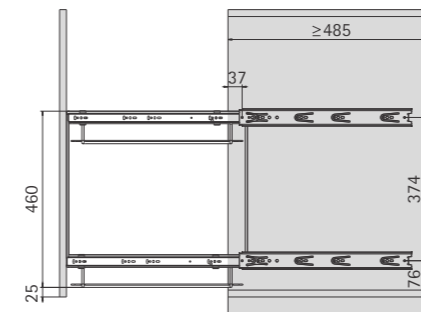
Plastic bottom



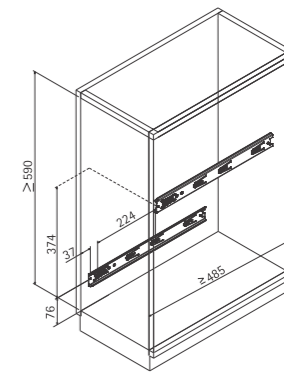
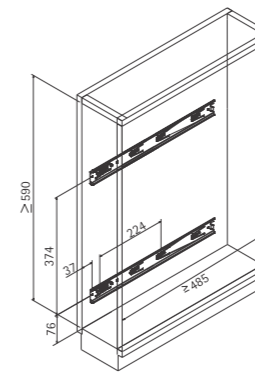
Base unit interior fittings

► Cargo IQ 300

Planning dimensions



With KA telescopic runner



Single side mounting for 150 mm & 200 mm with KA telescopic runner Diagonal mounting for 300 mm with KA telescopic runner

Article	Order no.	PU
Cargo IQ 300 for carcass size- 150 mm	9 191 703	1 pc
Cargo IQ 300 for carcass size- 200 mm	9 191 708	1 pc
Cargo IQ 300 for carcass size- 300 mm	9 191 711	1 pc

Advice

For KA Telescopic runner, see page 130 - 131

Installation similar to CargoTech basket, see page 32 - 33

Base unit interior fittings

- ▶ Spice pull out
- ▶ 3-tier



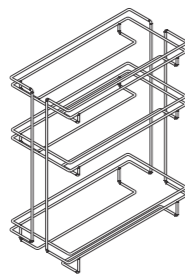
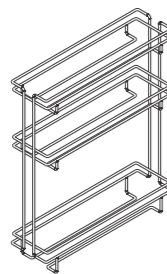
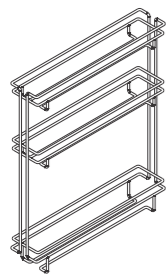
- ▶ Unique sleek solid looking stainless steel wire basket structure, with convenience of modular concept
- ▶ Lowest shelf can accommodate bottles also
- ▶ Combines convenience with unmatched running action, stability & strength
- ▶ All layers with plastic bottom makes it visually appealing and sturdy
- ▶ Available for three different cabinet widths
- ▶ Loading capacity 22.5 to 30 kg with KA telescopic runner
- ▶ Can be mounted to the right, left or diagonally (200 & 300 only)
- ▶ Front panel precise adjustment with fascia parts
- ▶ Finish : Chrome Plated
- ▶ Compatible with 500 mm KA telescopic runner only
- ▶ Order telescopic runner & clamps separately

Product details

A) 150 mm

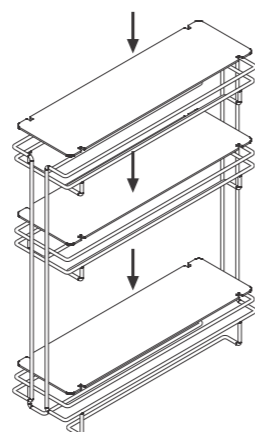
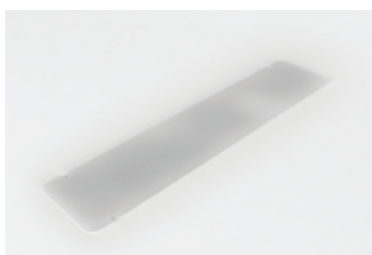
B) 200 mm

C) 300 mm



Size	150 mm	200 mm	300 mm
Weight capacity (with KA)	22.5 kg	26.25 kg	30 kg
Internal carcass dimension	W:112 mm	W:162 mm	W:262 mm
	D: 515 mm	D: 515 mm	D: 515 mm
	H: 675 mm	H: 675 mm	H: 675 mm

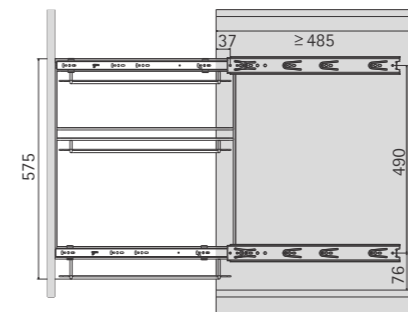
Plastic bottom



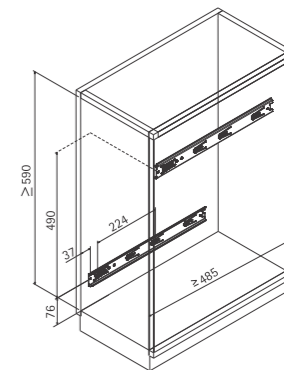
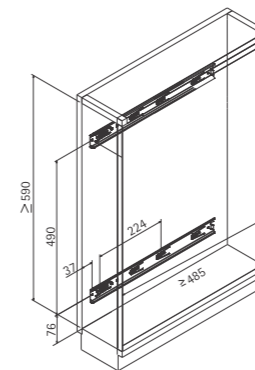
Base unit interior fittings

- ▶ Spice pull out

Planning dimensions



With KA telescopic runner



Single side mounting for 150 mm & 200 mm with KA telescopic runner Diagonal mounting for 300 mm with KA telescopic runner

Article	Order no.	PU
Spice pull out for carcass size- 150 mm	9 210 439	1 pc
Spice pull out for carcass size- 200 mm	9 210 441	1 pc
Spice pull out for carcass size- 300 mm	9 210 442	1 pc

Advice

For KA Telescopic runner, see page 130 - 131

Installation similar to CargoTech basket, see page 32 - 33

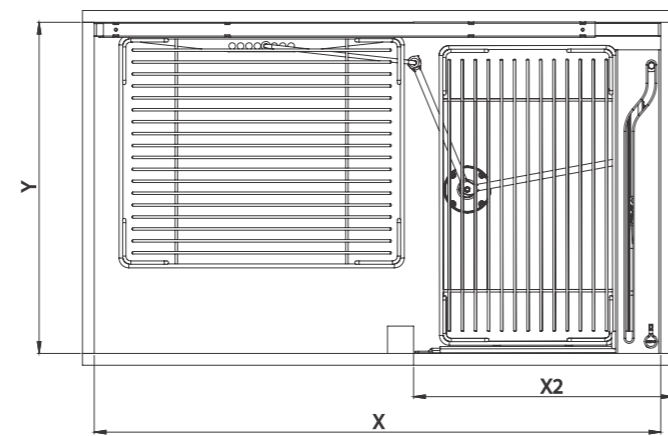
Base unit interior fittings

- ▶ Corner unit
- ▶ Moving corner cargo series



- ▶ Optimum use of space for corner cabinets 900 and 1000 mm wide
- ▶ Integrated silent System soft closure
- ▶ Finish : Chrome Plated

Product details



> <	X	X2	Y
900	810-1100	450-500	470
			505

Article	Order no	PU
Moving corner cargo series left	9 221 244	1 set
Moving corner cargo series right	9 221 243	1 set
Basket	9 221 242	1 set

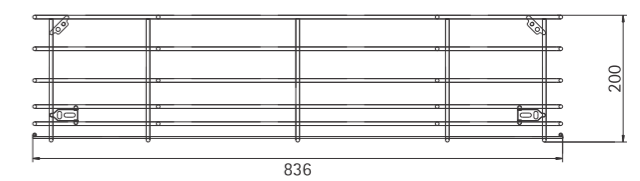
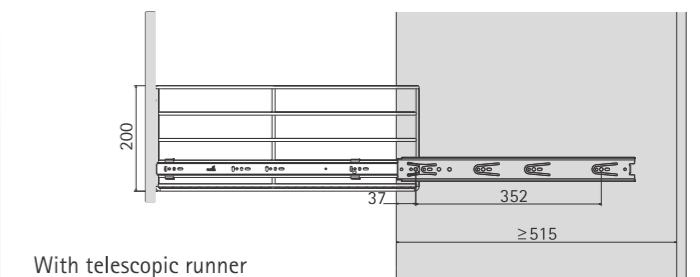
Base unit interior fittings

- ▶ Sink unit equipment
- ▶ Under sink basket



- ▶ For utilizing optimum space under the sink, to store detergents / cleaners etc
- ▶ Combines convenience with unmatched running action, stability & strength
- ▶ Available for 900 mm cabinet width
- ▶ Compatible with KA telescopic runners only, thus load capacity up to 45 Kg
- ▶ Sturdy stainless steel wire basket structure
- ▶ Recommended shutter height ≥ 360 mm
- ▶ Front panel precise adjustment with fascia parts
- ▶ Finish: Chrome Plated
- ▶ Order KA telescopic runner & clamps separately

Planning dimensions



Carcase external width mm (for side panel thickness 18 mm)	Order no	PU
900	9 190 451	1 pc

Advice

For KA Telescopic runner, see page 130 - 131

Installation similar to CargoTech basket, see page 32 - 33

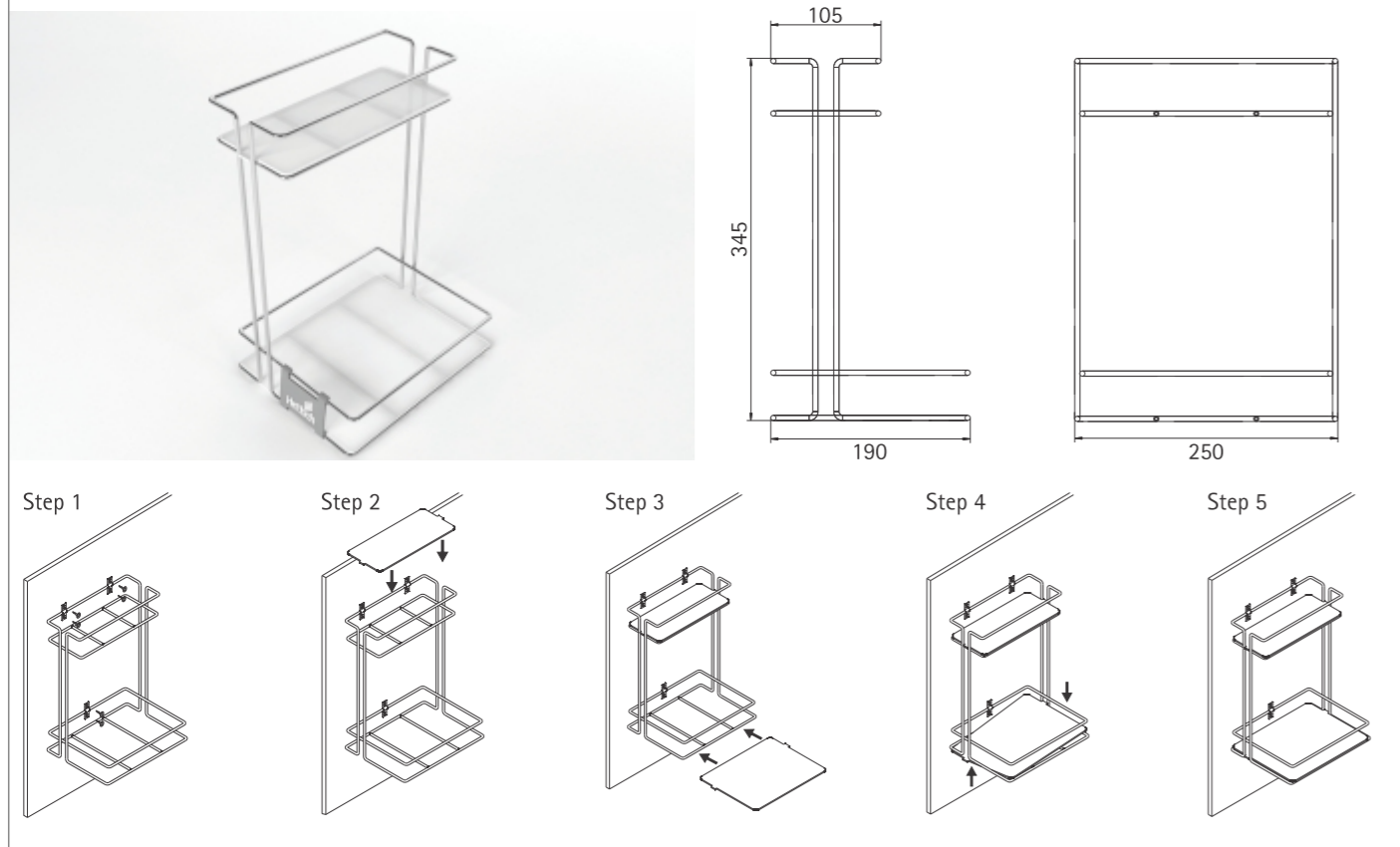
Base unit interior fittings

- ▶ Sink unit equipment
- ▶ Detergent holder



- ▶ Lightweight but sturdy structure, as made of thick wire
- ▶ Unique plastic bottom to avoid spillages and any damages to wire due to detergents / chemicals kept
- ▶ Material kept more stable as plastic bottom plain surface compared to wire mesh
- ▶ Bigger shelves to accommodate various bottle sizes
- ▶ Easy installation, with fixing at only three points
- ▶ Recommended shutter width 450 mm
- ▶ Finish: Chrome Plated
- ▶ 5 years warranty against rusting

Planning dimensions



Article	Order no	PU
Detergent holder	9 197 058	1 pc

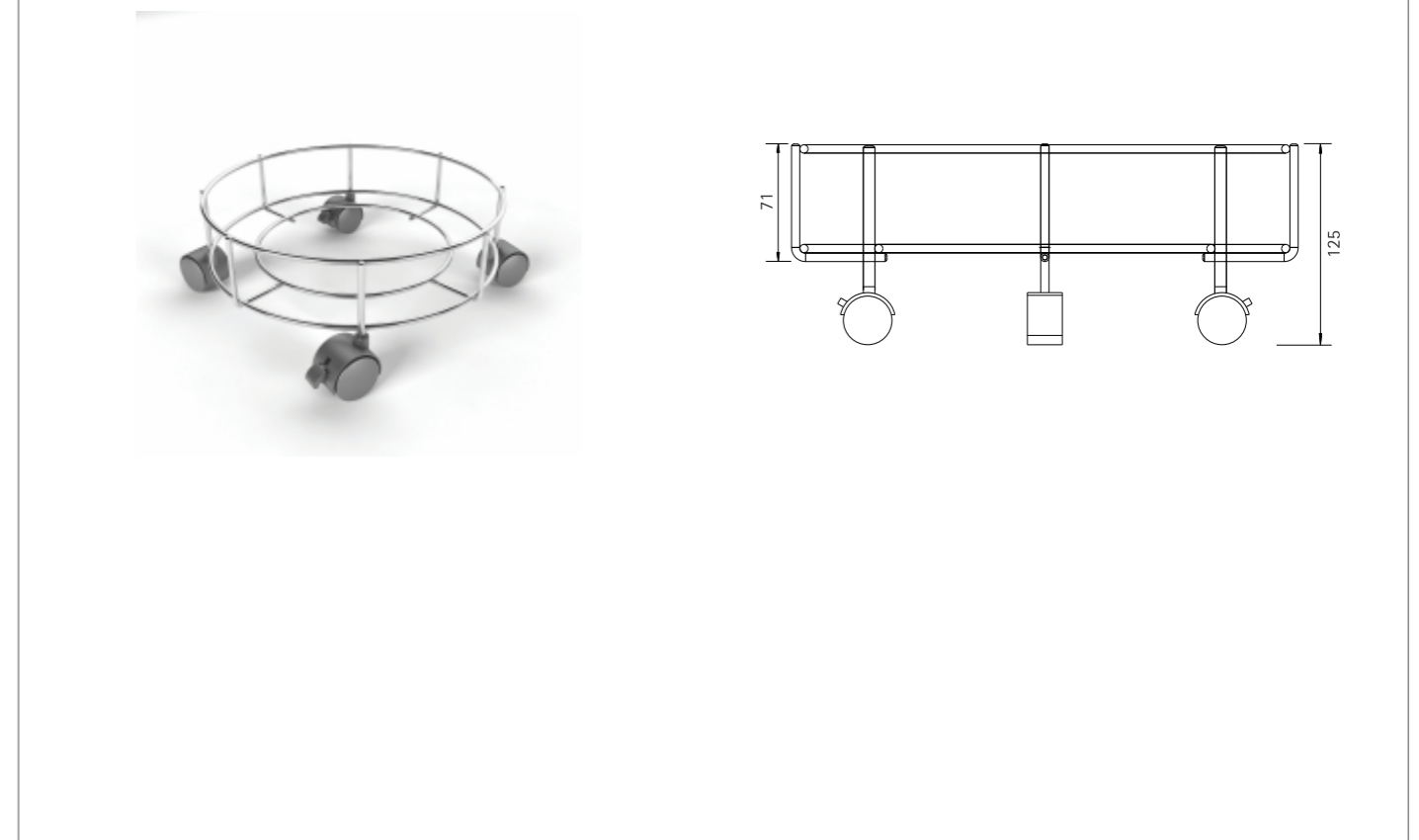
Base unit interior fittings

- ▶ Cylinder trolley



- ▶ Smooth motion with castors
- ▶ Locking mechanism in two castors, for stability
- ▶ Can easily take load of filled gas cylinder
- ▶ Low height for easy loading of cylinder
- ▶ Finish: Chrome Plated

Planning dimensions



Article	Order no	PU
Cylinder Trolley	9 210 445	1 pc

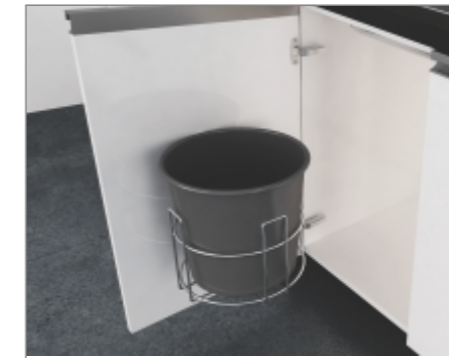
Fitting systems for kitchens

- ▶ Waste collecting systems
- ▶ Range summary



Pull out waste bin

98 - 99



Round bin holder 200 series

100



Round bin holder 100 series

101

Fitting systems for kitchens

- ▶ Waste collecting systems
- ▶ Pull out waste bin

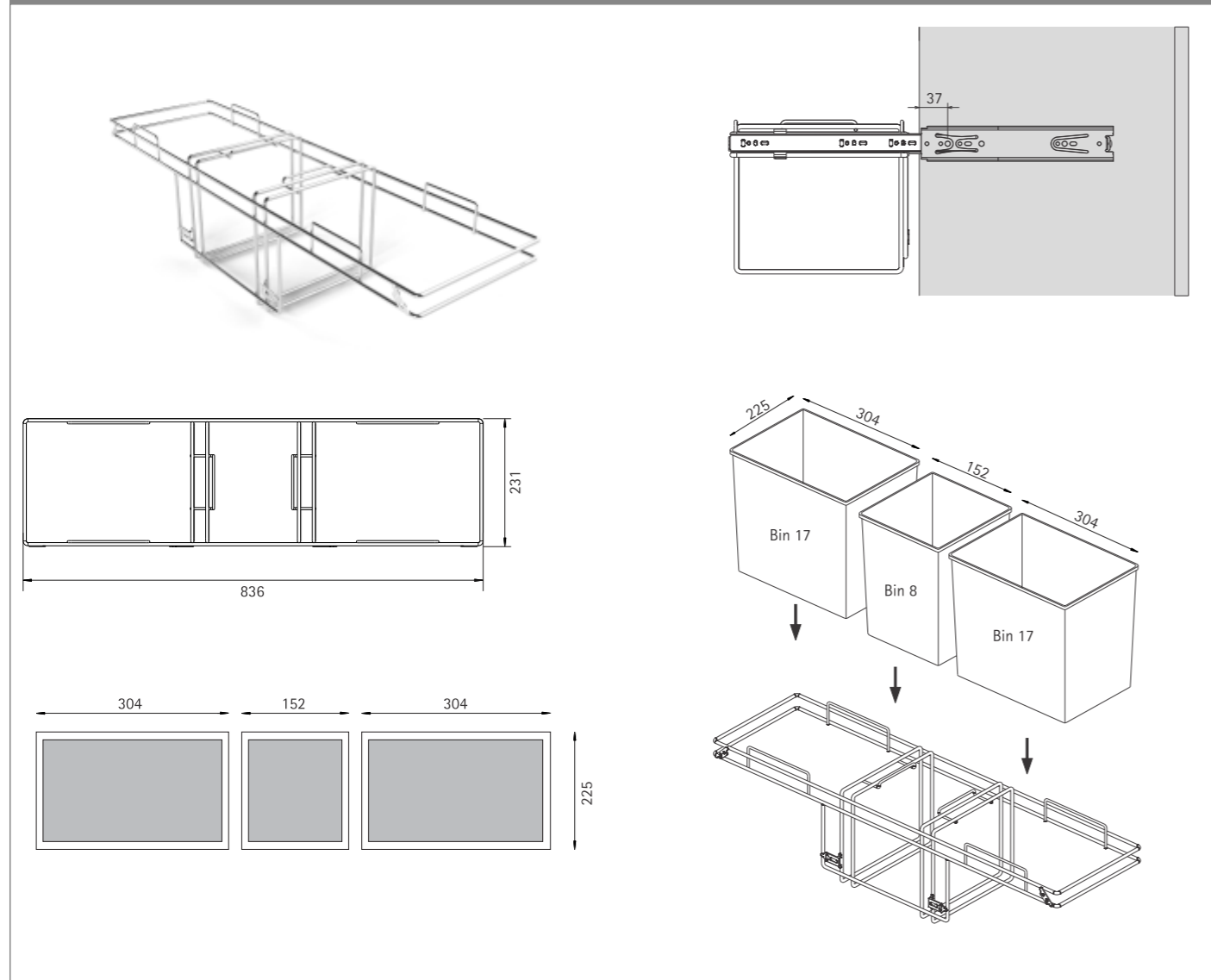


- ▶ Major contribution in green environment management
- ▶ Recommended minimum shutter height ≥ 325 mm
- ▶ Finish: Chrome Plated
- ▶ Compatible with 350 mm KA telescopic runners
- ▶ Order bins & lids separately
- ▶ Order KA runner & clamps separately
- ▶ 5 years warranty against rusting

Pull out waste bin frame

Article	Width mm	Depth mm	Height mm	Order no.	PU
Pull out waste bin	836	231	200	9 216 622	1 ea.

Planning dimensions



Fitting systems for kitchens

- ▶ Waste collecting systems
- ▶ Pull out waste bin



- ▶ Plastic bin with sturdy double handle
- ▶ As standard, all bins are supplied without lid
- ▶ Lids must be ordered separately, see below
- ▶ The lid heights specified below are total dimensions, the additional height for all lids is 2 mm

Bin

Article	Material/surface	Width mm	Depth mm	Height mm	Order no.	PU
Bin 17 l	Plastic grey	225	304	295	9 132 380	1 ea.
Bin 8 l	Plastic grey	152	225	295	9 132 377	1 ea.

Lid

Article	Material/surface	Width mm	Depth mm	Height mm	Order no.	PU
Lid 15 / 17 / 29 l	Plastic grey	225	304	21	9 132 386	1 ea.
Lid 7 / 8 l	Plastic green	152	225	21	9 132 382	1 ea.

Advice

For KA Telescopic runner, see page 130 - 131

Installation similar to CargoTech basket, see page 32 - 33

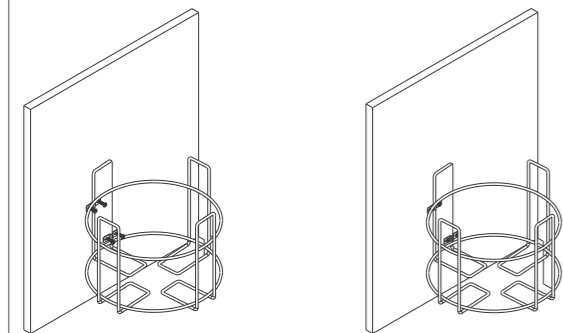
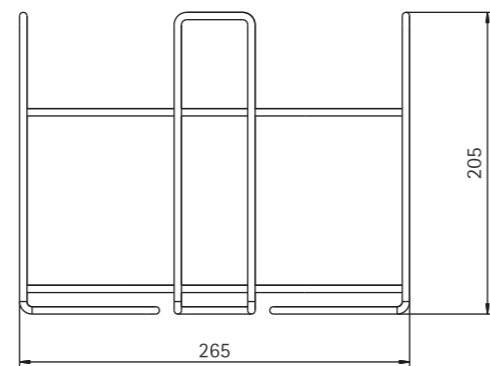
Fitting systems for kitchens

- ▶ Waste collecting systems
- ▶ Round bin holder 200 series



- ▶ Light weight but sturdy structure, as made of thick wire
- ▶ Easy installation, with fixing at only two points
- ▶ Disposable bags can be hung inside the frame directly
- ▶ Recommended shutter width 450 mm
- ▶ Finish: Chrome Plated

Planning dimensions



Article	Order no	PU
Round bin holder 200 series	9 210 444	1 pc

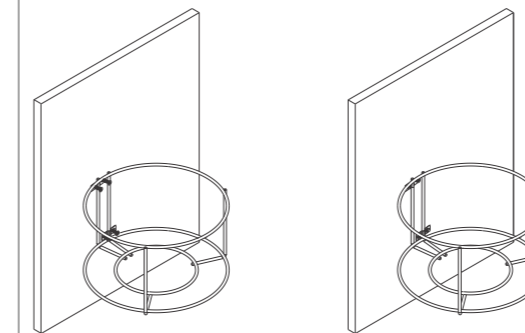
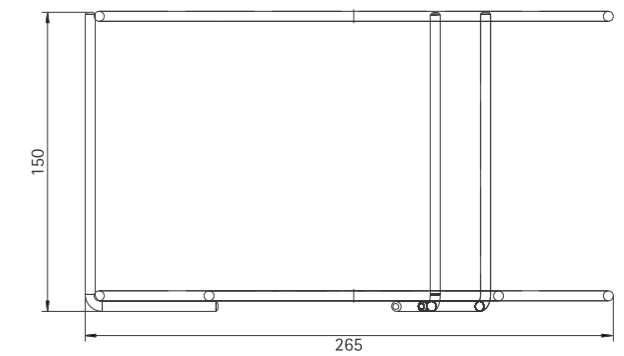
Fitting systems for kitchens

- ▶ Waste collecting systems
- ▶ Round bin holder 100 series



- ▶ Light weight but sturdy structure, as made of thick wire
- ▶ Easy installation, with fixing at only two points
- ▶ Recommended shutter width 450 mm
- ▶ Finish: Chrome Plated

Planning dimensions



Article	Order no	PU
Round bin holder 100 series	9 210 443	1 pc

Fitting systems for kitchens

- ▶ Interior fittings for larder units
- ▶ Range summary



Cargo 500

104



CargoTech M pantry unit

105



CargoPlus pantry unit

106



CargoFlexi pantry unit

107

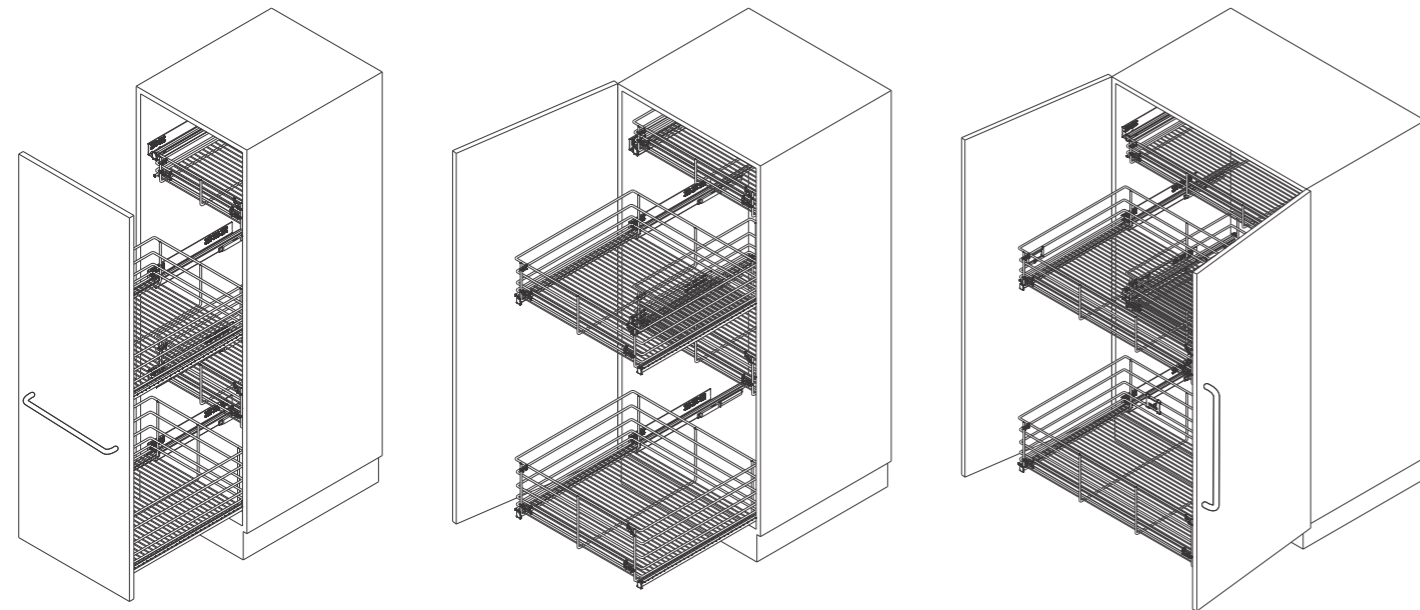
Interior fittings for larder units

► Cargo 500



- Convenience of modular concept
- Combines convenience with unmatched running action stability and strength
- Compatible with Quadro runners and KA telescopic runners
- Comfortably takes uniformly distributed weight of up to 250 kg
- Can be installed in any standard size drawer cabinet
- Options to use in different heights with minimum 2 to maximum 6 CargoTechs
- Larger width unit can be made with openable shutter

Example application



For carcass width 450 mm

For carcass width 600 mm

For carcass width 900 mm

Advice

For ordering CargoTech, see page 20 – 22

Installation similar to CargoTech basket, see page 32 – 33

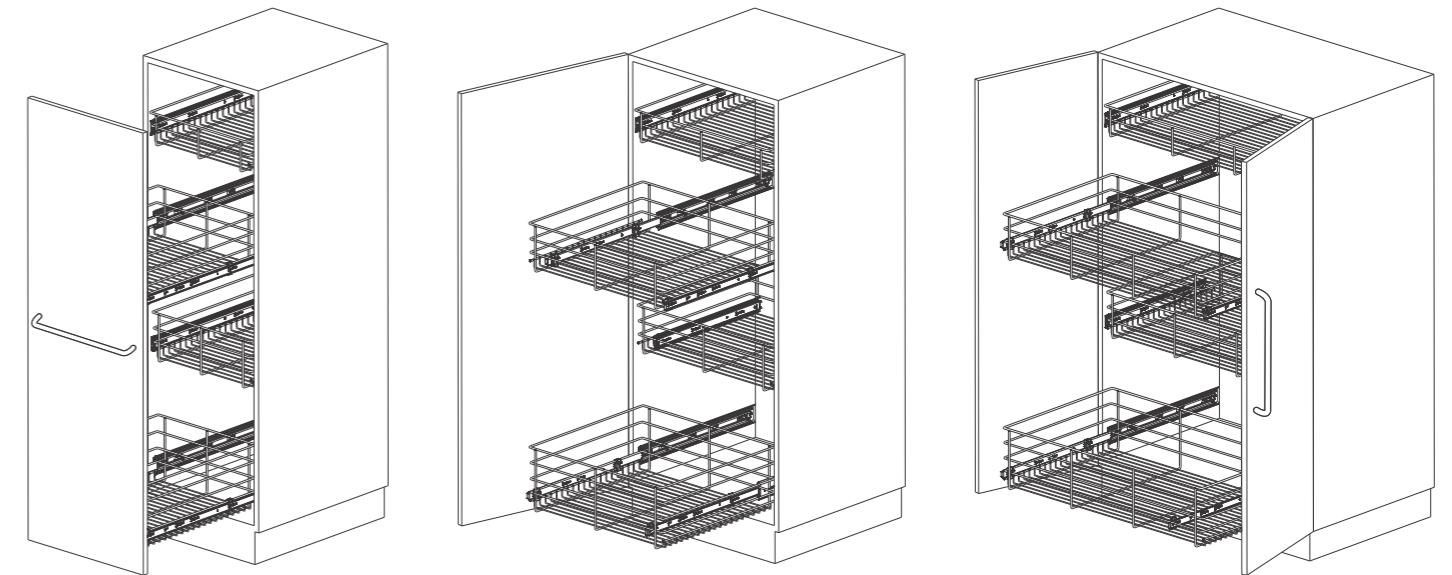
Interior fittings for larder units

► CargoTech M larder unit



- Convenience of modular concept
- Combines convenience with unmatched running action stability and strength
- Compatible with KA telescopic runners
- Comfortably takes uniformly distributed weight of up to 250 kg
- Can be installed in any standard size drawer cabinet
- Options to use in different heights with minimum 2 to maximum 6 CargoTechs M
- Larger width unit can be made with openable shutter

Example application



For carcass width 450 mm

For carcass width 600 mm

For carcass width 900 mm

Advice

For ordering CargoTech M, see page 38 – 40

Installation similar to CargoTech M basket, see page 48

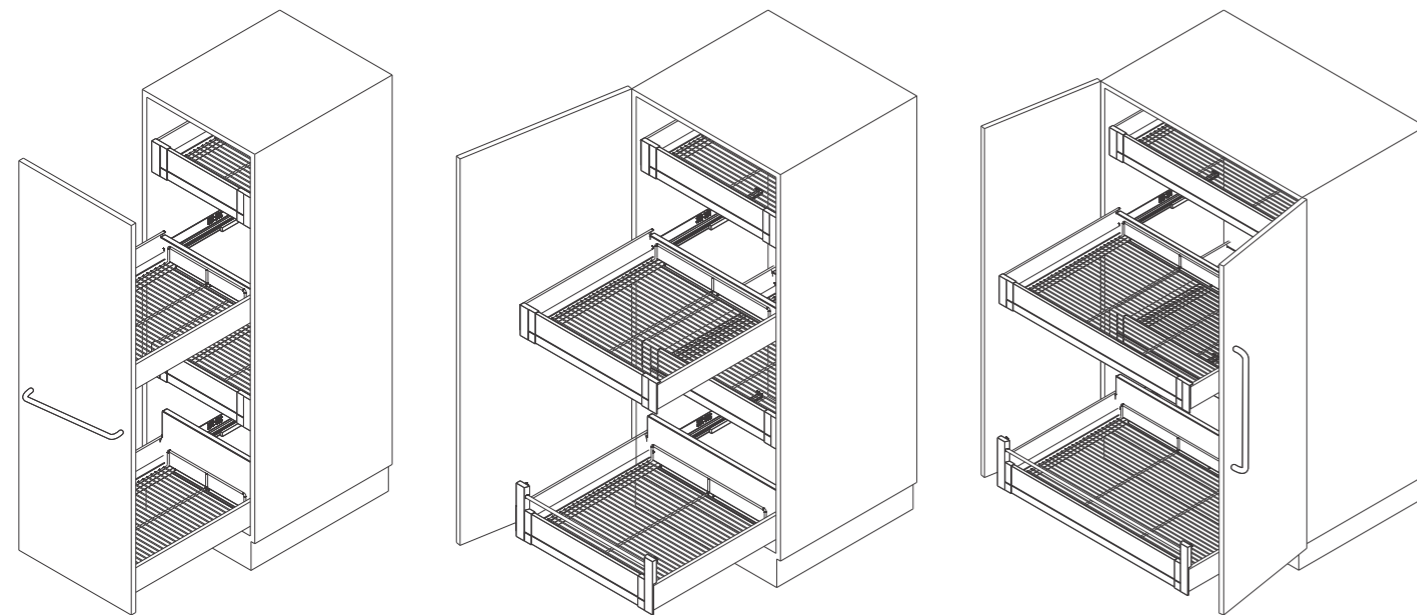
Interior fittings for larder units

► CargoPlus larder unit



- For individual carcass heights and widths
- Optimum use of storage space
- Recommended carcass widths: 450 – 900 mm, with 2 hinged doors for carcasses wider than 600 mm
- Recommended hinge: Sensys 8657i fast assembly concealed hinge
- Other configurations are also possible

Example application



For carcass width 450 mm

For carcass width 600 mm

For carcass width 900 mm

Advice

For ordering CargoPlus, see page 54 – 55
Installation similar to CargoPlus basket, see page 63

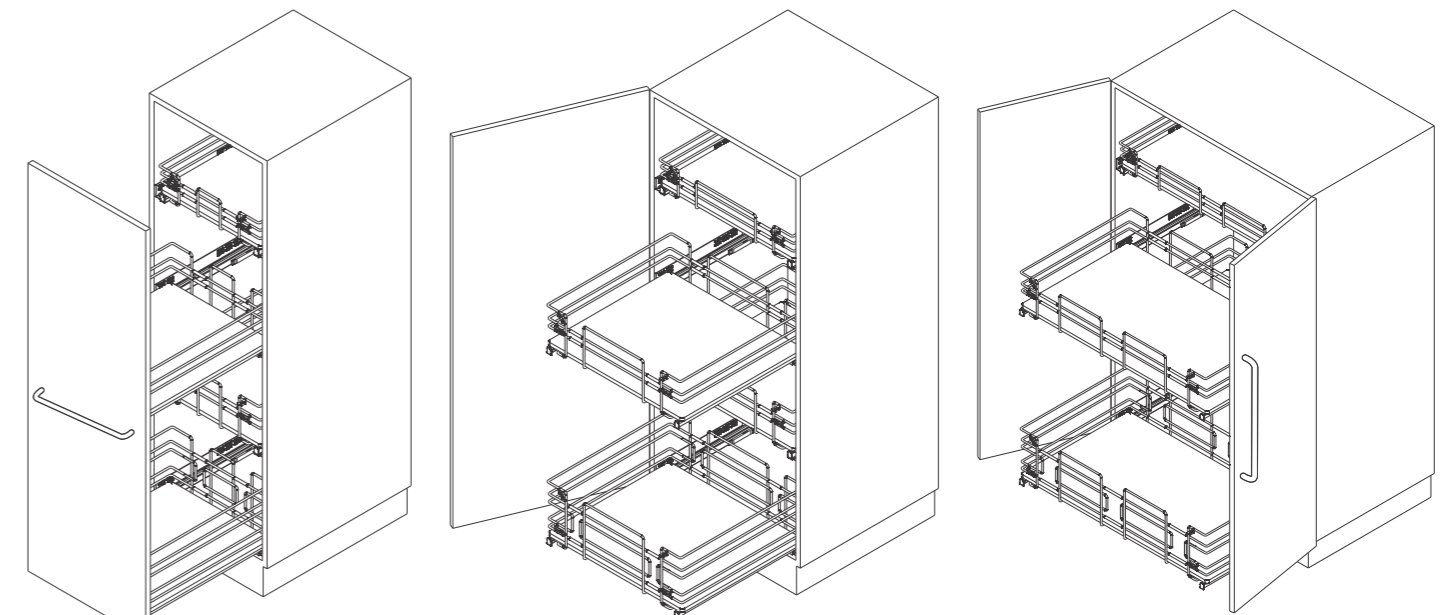
Interior fittings for larder units

► CargoFlexi larder unit



- Convenience of modular concept
- Combines convenience with unmatched running action stability and strength
- Compatible with Quadro runners and KA telescopic runners
- Comfortably takes uniformly distributed weight of up to 250 kg
- Can be installed in any standard size drawer cabinet
- Options to use in different heights with minimum 2 to maximum 6 CargoFlexi
- Larger width unit can be made with openable shutter

Example application



For carcass width 450 mm

For carcass width 600 mm

For carcass width 900 mm

Advice

For ordering CargoFlexi, see page 68 – 70
Installation similar to CargoFlexi basket, see page 78 – 79

Fitting systems for kitchens

- ▶ Wall unit interior fittings
- ▶ Range summary



Dish drainer set

110



Pull out shelf, depth 250 mm

111

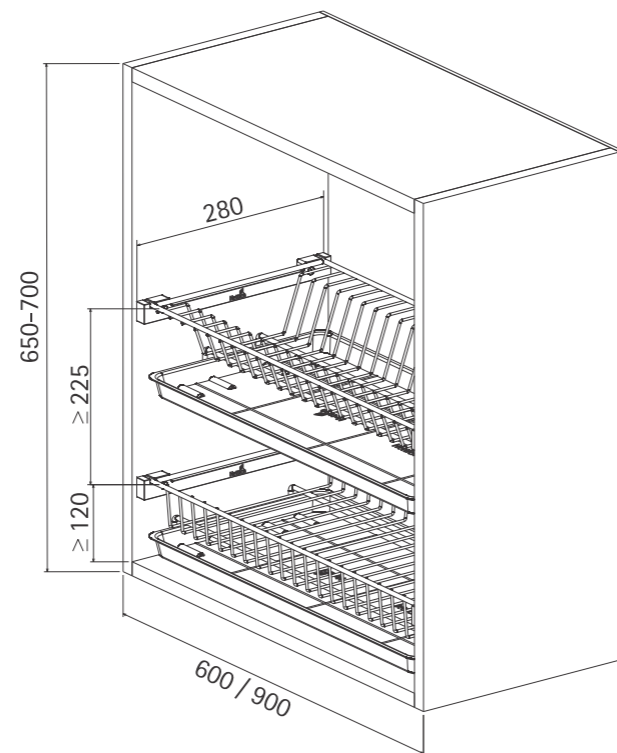
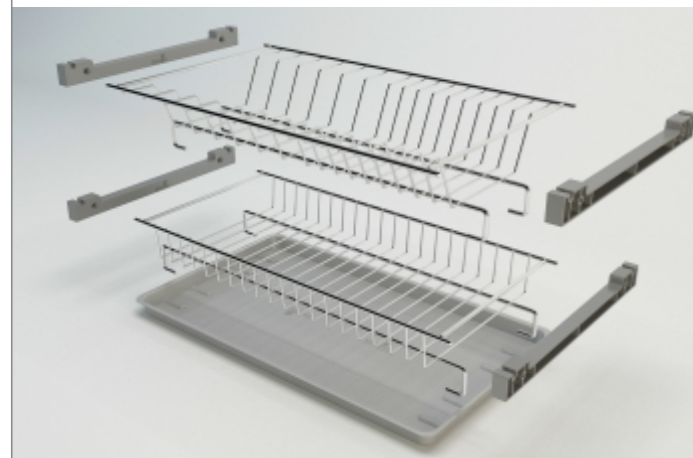
Wall unit interior fittings

▶ Dish drainer set



- ▶ Combines convenience with unmatched stability & strength
- ▶ Sturdy stainless steel wire basket structure
- ▶ Available for two different cabinets width 600 mm & 900 mm
- ▶ Unique PVC collecting tray
- ▶ 600 mm can take 6 thali / 8 plates
- ▶ 900 mm can take 9 thali / 15 plates
- ▶ Can be mounted very easily
- ▶ Finish: Chrome Plated

Planning dimensions



Carcase external width mm (for 18 mm panel thickness)	Order no	PU
600	9 206 160	1 pc
900	9 206 161	1 pc

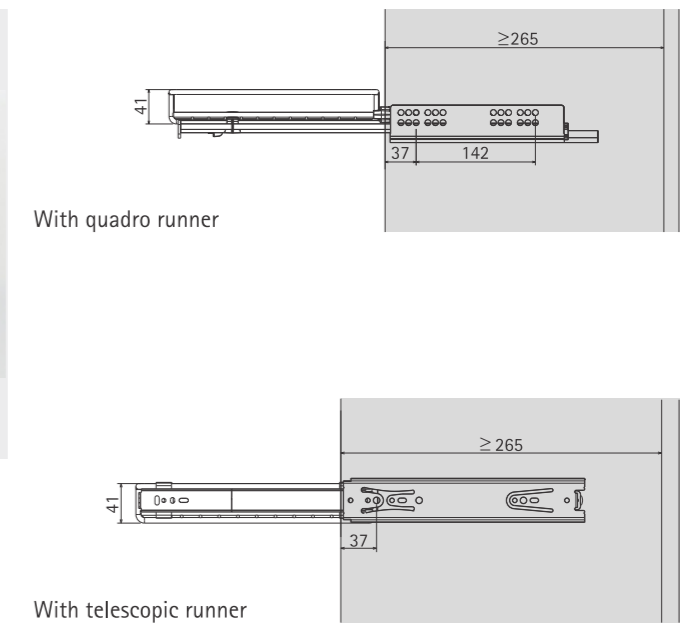
Wall unit interior fittings

▶ Pull out shelf, depth 250 mm



- ▶ Functional and visually pleasing alternative to wooden shelves, in kitchen
- ▶ Can be mounted with KA telescopic & Quadro runners
- ▶ Available in three standard carcass widths- 600, 750 & 900 mm
- ▶ Available depth- 250 mm
- ▶ Height of moving shelf 41 mm
- ▶ Loading capacity 30-40 kg
- ▶ Optional plastic bottom
- ▶ Finish: Chrome Plate
- ▶ Order runner & clamps accordingly

Planning dimensions



Width mm	Carcase external width mm (for side panel thickness 18 mm)	Depth mm	Height mm	Order no.	PU
536	600	250	41	9 209 343	1 ea.
536 (Plastic bottom)	600	250		9 213 053	1 ea.
686	750	250	41	9 210 437	1 ea.
686 (Plastic bottom)	750	250		9 213 058	1 ea.
836	900	250	41	9 209 346	1 ea.
836 (Plastic bottom)	900	250		9 213 062	1 ea.

Advice

For Quadro & KA Telescopic runner, see page 126 - 131
Installation similar to CargoTech basket, see page 32 - 33



Create surfaces instead of filling gaps: the innovative midway system from Hettich creates fresh design highlights in modern kitchens and stands out with its intelligent functionality. The midway system can be integrated into the kitchen in a variety of ways.



Jar rack

114



Multi purpose rack, 2-tier

114



Oil bottle rack

114



Saucer rack

114



Functionally designed midway systems



Easy to install



For kitchen accessories of every kind - always within easy reach



Can be retrofitted at any time

Fitting systems for kitchens

- ▶ Midway equipment and kitchen accessories
- ▶ Chrome plated

Jar Rack



- ▶ Can be used to keep jars for easy access
- ▶ Plastic bottom base for better holding of material
- ▶ Width 280 mm, Depth 194 mm, Height 260 mm
- ▶ Finish: Chrome Plated

Order no.	PU
9 217 143	1 pc

Multi Purpose Rack, 2-tier



- ▶ Can be used to keep small containers of spices etc
- ▶ Plastic bottom base for better holding of material
- ▶ Width 180 mm, Depth 131 mm, Height 320 mm
- ▶ Finish: Chrome Plated

Order no.	PU
9 217 145	1 pc

Oil Bottle Rack



- ▶ Can be used to keep oil, sauce bottles etc
- ▶ Plastic bottom base for better holding of material
- ▶ Width 280 mm, Depth 166 mm, Height 320 mm
- ▶ Finish: Chrome Plated

Order no.	PU
9 217 148	1 pc

Saucer Rack



- ▶ Can take upto 6 saucers
- ▶ Plastic bottom base for better holding of material
- ▶ Width 180 mm, Depth 159 mm, Height 260 mm
- ▶ Finish: Chrome Plated

Order no.	PU
9 217 179	1 pc

Fitting systems for kitchens

- ▶ Midway equipment
- ▶ Accessories

Railing



- ▶ ø 16 mm
- ▶ Steel, high-gloss chrome-plated

Length	Order no.	PU
600 mm	9 079 825	1 pc
1200 mm	9 079 826	1 pc

S- Hook



- ▶ Height approx. 60 mm, internal ø at bottom 24 mm
- ▶ Steel, chrome plated

Order no.	PU
9 079 845	1 pc

Wall bracket



- ▶ Square
- ▶ Maximum distance between wall brackets 600 mm
- ▶ Includes Allen key
- ▶ Chrome-plated steel

Order no.	PU
9 079 836	1 pc

End cap



- ▶ Steel, chrome-plated / black plastic

Order no.	PU
9 079 839	1 pc

Connecting Sleeve



- ▶ For connecting 2 railing tubes or 1 railing tube and 1 railing elbow 90°
- ▶ White plastic

Order no.	PU
9 079 842	1 pc

- ▶ Interior fittings for wardrobes
- ▶ Range summary



Pull out shelf, depth 500 mm

120



Cargo pull out shoe rack vertical

121



Cargo pull out shoe rack horizontal

122



Cargo trouser pull out

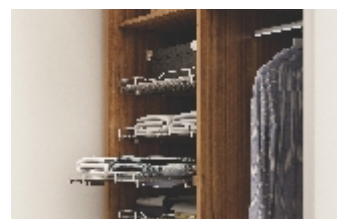
123



Cargo tie belt pull out

124

Intelligent fitting systems from Hettich help to create innovative functions behind attractive fronts. The flexible organiser systems can be adapted to the users' individual requirements. The system's enormous functionality is perfect for individually configured wardrobes. Variable width permits easy adaptation to conditions in the room. Pull-outs ensure outstanding convenience, every day.



Smart replacement of wooden shelves



Shoe rack for carcass width 600 mm & 900 mm



Easy to install



Telescopic trouser holder

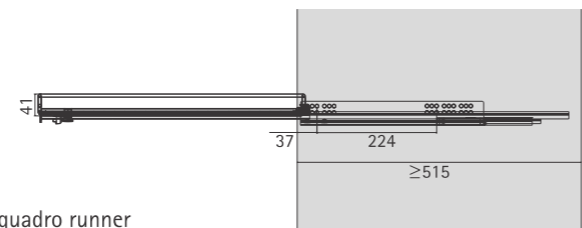
Interior fittings for wardrobe

- ▶ Pull out shelf, depth 500 mm

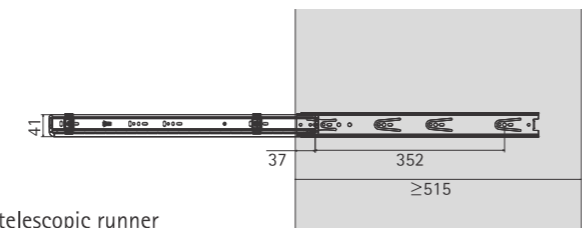


- ▶ Functional and visually pleasing alternative to wooden shelves, in wardrobes
- ▶ Can be mounted with KA telescopic & Quadro runners
- ▶ Available in three standard carcass widths- 600, 750 & 900 mm
- ▶ Available depth- 500 mm
- ▶ Height of moving shelf 41 mm
- ▶ Loading capacity 30-40 kg
- ▶ Optional plastic bottom
- ▶ Finish: Chrome Plate
- ▶ Order runner & clamps accordingly

Planning dimensions



With quadro runner



With telescopic runner

Width mm	Carcass external width mm (for side panel thickness 18 mm)	Depth mm	Height mm	Order no.	PU
536	600	500	41	9 209 345	1 ea.
536 (Plastic bottom)	600	500		9 213 057	1 ea.
686	750	500	41	9 210 438	1 ea.
686 (Plastic bottom)	750	500		9 213 061	1 ea.
836	900	500	41	9 209 348	1 ea.
836 (Plastic bottom)	900	500		9 213 063	1 ea.

Advice

For Quadro & KA Telescopic runner, see page 126 - 131
Installation similar to CargoTech basket, see page 32 - 33

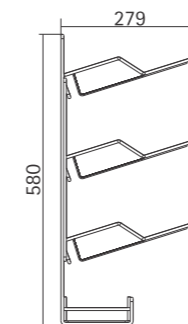
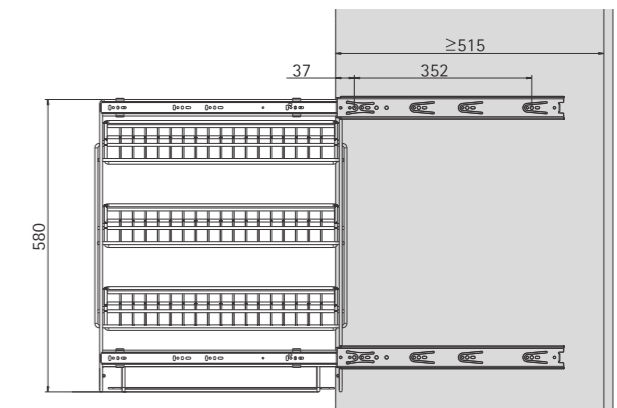
Interior fittings for wardrobe

- ▶ Cargo pull out shoe rack vertical



- ▶ Easily mountable on carcass side
- ▶ Suitable for use on left or right side
- ▶ Can take minimum 6 pairs of adult shoes
- ▶ Additional space to keep related accessories like shoe polish & brush etc.
- ▶ Compatible with KA telescopic runners
- ▶ With 3 clip-on shoe racks
- ▶ Recommended internal carcass height 750 mm
- ▶ Finish: Chrome Plated
- ▶ Order KA telescopic runner & clamps separately

Planning dimensions



Article	Order no	PU
Cargo pull out shoe rack vertical	9 209 340	1 pc

Advice

For KA Telescopic runner, see page 130 - 131

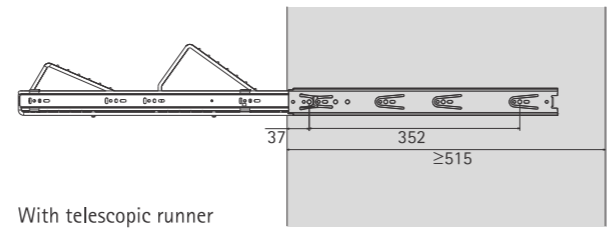
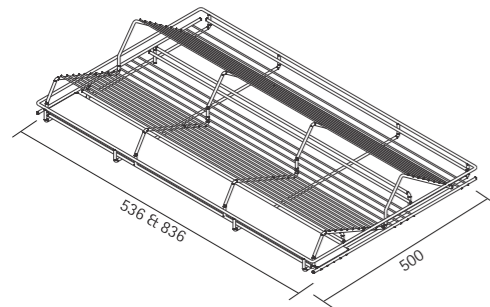
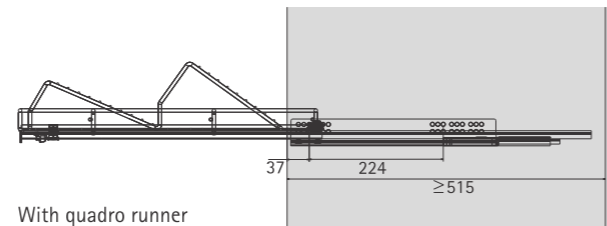
Interior fittings for wardrobe

► Cargo pull out shoe rack horizontal



- Installation between carcass sides
- Can take minimum 4 pairs (600 mm) & 6 pairs (900 mm) of adult size shoes
- Additional space to keep related accessories like shoe polish & brush etc.
- Compatible with Quadro & KA telescopic runners
- Available in two standard carcass widths- 600 & 900 mm
- Recommended internal carcass height 300 mm
- Finish: Chrome Plated
- Order runner & clamps accordingly

Planning dimensions



Width mm	Order no	PU
600	9 217 067	1 pc
900	9 211 635	1 pc

Advice

For Quadro & KA Telescopic runner, see page 126 - 131
Installation similar to CargoTech basket, see page 32 - 33

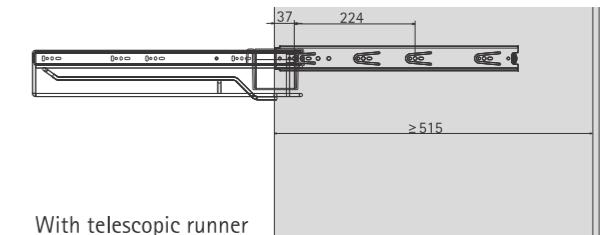
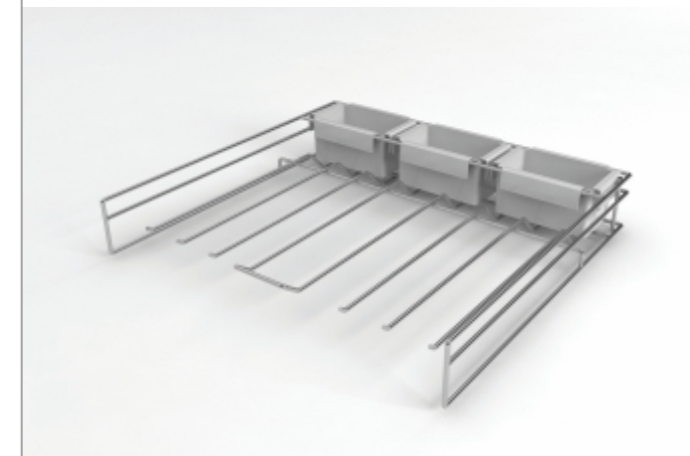
Interior fittings for wardrobe

► Cargo trouser pull out



- Installed between carcass sides
- Can take minimum 8 trousers
- Additional space to keep related accessories like watch etc.
- Compatible with KA telescopic runners
- Finish: Chrome Plated
- Order KA telescopic runner & clamps separately

Planning dimensions



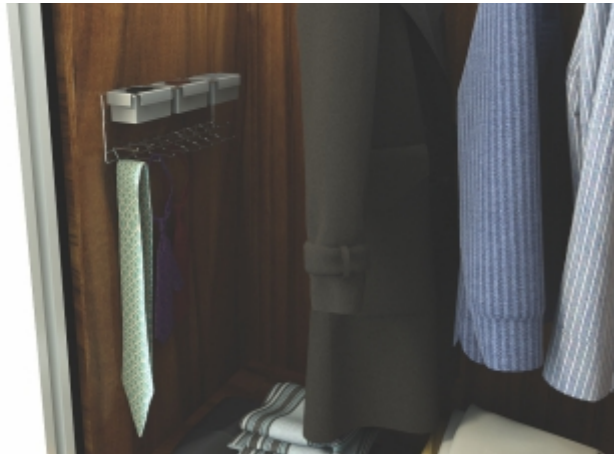
Article	Order no	PU
Cargo trouser pull out	9 221 098	1 pc

Advice

For KA Telescopic runner, see page 130 - 131

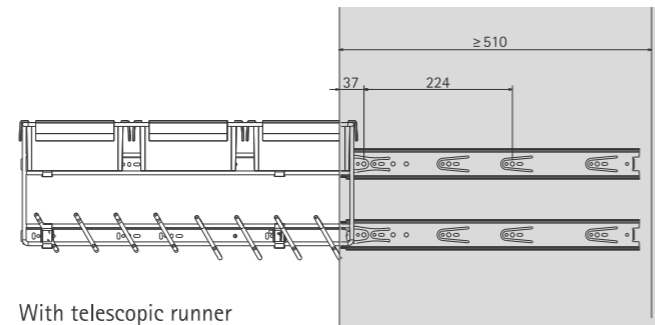
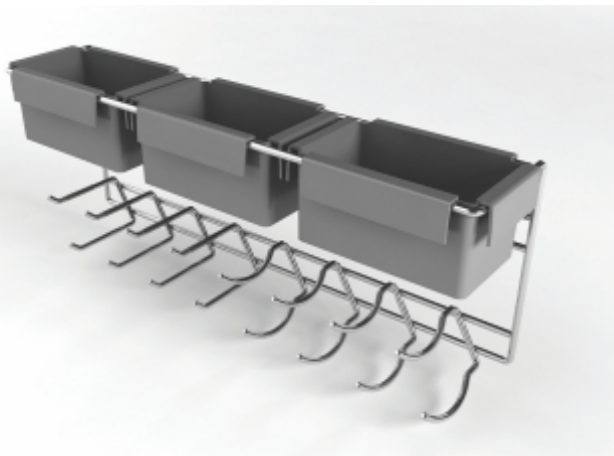
Interior fittings for wardrobe

► Cargo Tie belt pull out



- For mounting on carcase side
- With 16 non-slip elements
- Additional space to keep related accessories like watch etc.
- Compatible with KA telescopic runners
- Finish: Chrome Plated
- Order KA telescopic runner & clamps separately

Planning dimensions



With telescopic runner

Article	Order no	PU
Cargo tie belt pull out	9 221 099	1 pc

Advice

For KA Telescopic runner, see page 130 - 131

Drawer runner

► Quadro

Quadro-30 Part Extn. 30 Kg



- Stop Control – integrated self-closing mechanism for automatic closure
- Convenient slide-on assembly with catches and toolless vertical adjustment
- Flexible interchangeable system – from Quadro partial to full extension runner without altering carcass, drawer and front-panel dimensions
- Loading capacity to EN 15338, Level 3
- Galvanised steel

Nominal length mm	Order no	PU
250	7 290 4	1 set
450	7 321 2	1 set
500	3 368 7	1 set
550	7 321 4	1 set
600	7 321 5	1 set

Quadro-25 Part Extn. With Silent System 25 Kg



- Silent System – the integrated soft-closing function shuts the drawer quietly and gently
- Convenient slide-on assembly with catches and toolless vertical adjustment
- Flexible interchangeable system – from Quadro partial to full extension runner without altering carcass, drawer and front-panel dimensions
- Loading capacity to EN 15338, Level 3
- Galvanised steel

Nominal length mm	Order no	PU
250	9 135 931	1 set
450	9 135 939	1 set
500	9 135 941	1 set
550	9 135 943	1 set

Drawer runner

► Quadro

Quadro-V6 Full Extn. With Silent System 30Kg



- Silent System – the integrated soft-closing function shuts the drawer quietly and gently
- Convenient slide-on assembly with catches and toolless vertical adjustment
- Loading capacity to EN 15338, Level 3
- Galvanised steel

Nominal length mm	Order no	PU
450	4 52 91	1 set
500	4 529 3	1 set
550	4 529 5	1 set
600	4 529 7	1 set

Quadro P20 Partial 25 kg



- Push to open – the precision Push to open mechanism automatically opens the drawer in virtual silence – a light press is all it takes!
- Convenient slide-on assembly with catches and toolless vertical adjustment
- Flexible interchangeable system – from Quadro partial to full extension runner without altering carcass, drawer and front-panel dimensions
- Loading capacity to EN 15338, Level 3
- Galvanised steel

Nominal length mm	Order no	PU
250	9 135 957	1 set
450	9 135 964	1 set
500	9 135 966	1 set
550	9 135 968	1 set

Drawer runner

▸ Quadro

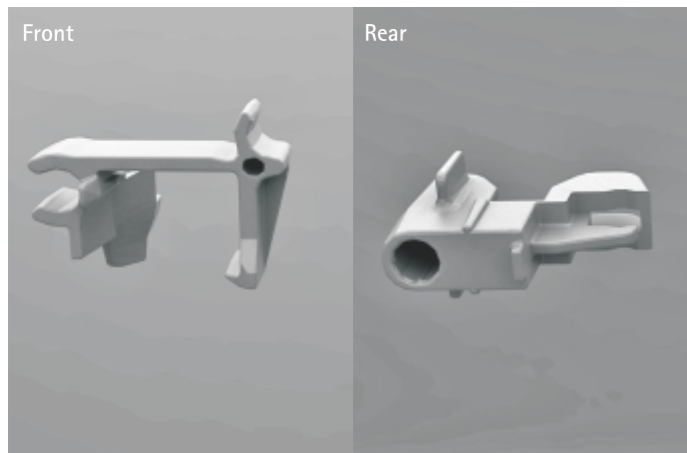
Quadro P20 Full Extension 30 kg



- ▶ Push to open – the precision Push to open mechanism automatically opens the drawer in virtual silence – a light press is all it takes!
- ▶ Convenient slide-on assembly with catches and toolless vertical adjustment
- ▶ Loading capacity to EN 15338, Level 3
- ▶ Galvanised steel

Nominal length mm	Order no	PU
250	9 135 984	1 set
450	9 135 991	1 set
500	9 135 993	1 set
550	9 135 995	1 set

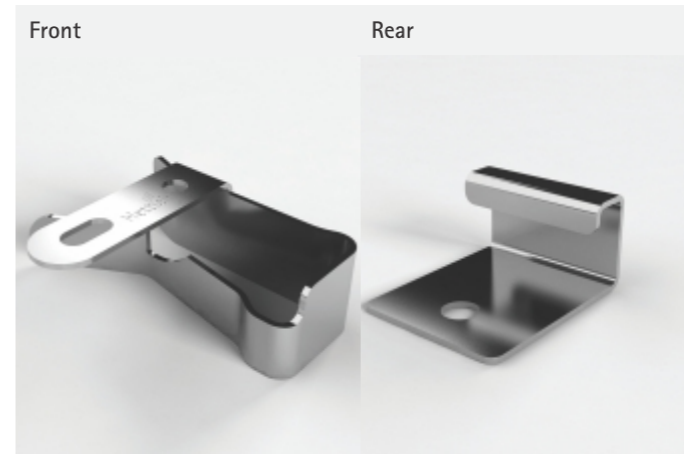
CargoTech Quadro Clamp



- Set comprises:
- ▶ 2 front clamp
 - ▶ 2 rear clamp

Article	Order no	PU
CargoTech Quadro clamp	9 160 975	1 set

CargoFlexi Quadro Clamp



- Set comprises:
- ▶ 2 front clamp
 - ▶ 2 rear clamp

Article	Order no	PU
CargoFlexi Quadro clamp	9 221 182	1 set

Drawer runner

▶ Ball-bearing runner KA

KA 5632 45kg Zinc / Black



- ▶ Precision full extension runner with pull-out stop and roll-out guard
- ▶ Using a release lever, the drawer can be detached from the runner and thus removed and re-fitted with ease
- ▶ Precision control for silky smooth running action and high lateral stability
- ▶ For drawers with grooved, rebated or loosely fitted drawer bottom
- ▶ Loading capacity to EN 15338, Level 1
- ▶ Galvanised steel, blue passivated

Nominal length mm	Order no.		PU
	Zinc	Black	
250	0 073 276	0 044 916	1 set
300	0 073 277	0 044 915	1 set
450	0 073 280	0 044 912	1 set
500	0 073 281	0 044 911	1 set
500	0 073 282	0 044 909	1 set
600	0 073 283	0 044 908	1 set

KA 4532, 35kg Silent System / P20 Zinc



- ▶ Silent System - the integrated soft-closing function shuts the drawer quietly and gently
- ▶ Using a release lever, the drawer can be detached from the runner and thus removed and re-fitted with ease.
- ▶ Precision control for silky smooth running action and high lateral stability
- ▶ For drawers with grooved, rebated or loosely fitted drawer bottom
- ▶ Loading capacity to EN 15338, Level 2
- ▶ Galvanised steel, blue passivated

Nominal length mm	Order no.		PU
	Silent system	Push to open	
300	9 114 271	9 114 281	1 set
500	9 114 276	9 114 285	1 set
550	9 114 277	9 114 286	1 set
600	9 114 278	9 114 288	1 set
650	9 114 279	9 114 289	1 set
700	9 114 280	9 114 290	1 set

Drawer runner

▶ Ball-bearing runner KA

KA 4932 Over Extn. 60kg



- ▶ Over extension runner with pull-out stop and roll-out guard
- ▶ Using a release lever, the drawer can be detached from the runner and thus removed and re-fitted with ease.
- ▶ Precision control for silky smooth running action and high lateral stability
- ▶ For drawers with grooved, rebated or loosely fitted drawer bottom
- ▶ Loading capacity to EN 15338, Level 1
- ▶ Galvanised steel, blue passivated

Nominal length mm	Order no	PU
250	0 041 356	1 set
300	0 041 357	1 set
500	0 041 362	1 set
550	0 041 363	1 set
600	0 041 364	1 set

KA Telescopic clamp



- ▶ To be used with CargoTech, CargoTech M & CargoFlexi baskets

Set comprises:

- ▶ 4 pcs.

Article	Order no	PU
KA Telescopic clamp	1 180 142	1 set

Drawer systems

12 – 79

Cabinet interiors

80 – 124